

HANDLE, STRIKES, LOCKS, HINGES, STRAPS



KFRA.it

CONTENT



Bus Knowledge

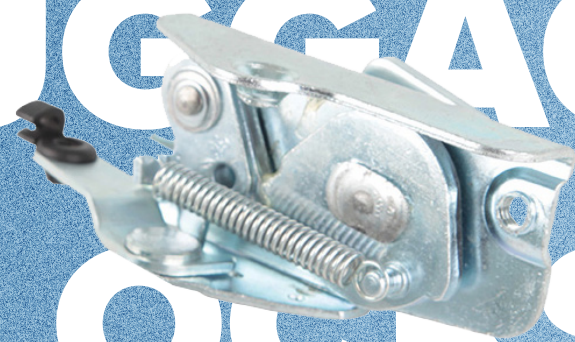
KAFRA



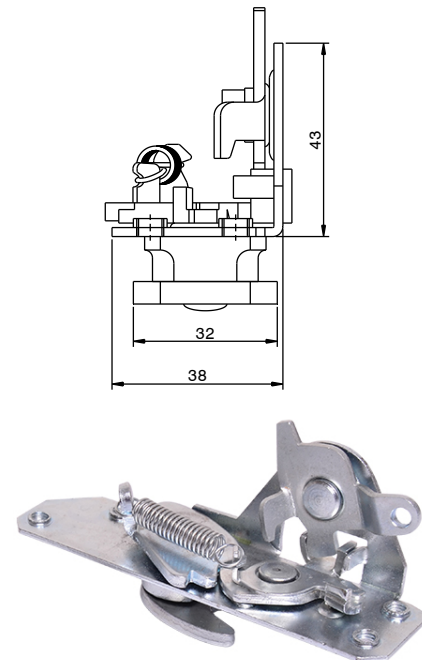
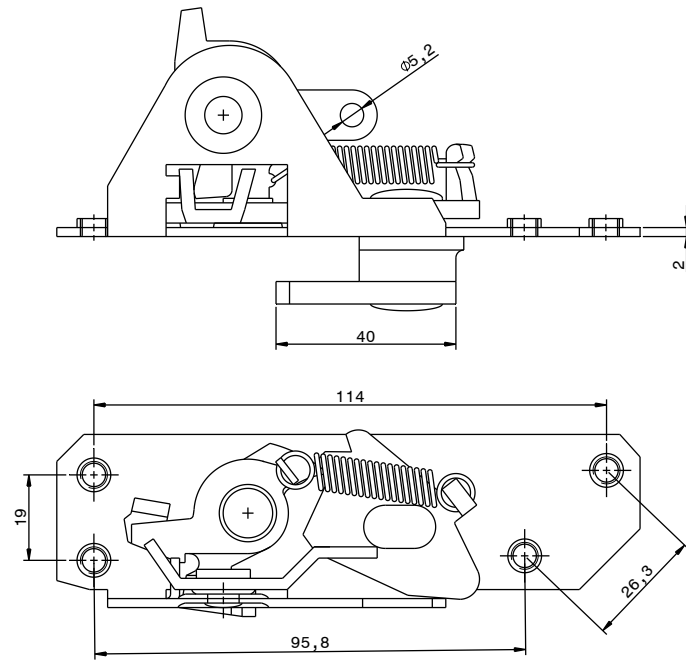
<u>Luggage Locks</u>	7-14
<u>Cabin Locks</u>	15 - 20
<u>Handles</u>	21 - 36
<u>Lock Strikes</u>	37 - 50
<u>Pressure Locks</u>	51 - 66
<u>Door Locks</u>	67 - 72
<u>Mita Locks</u>	73 - 74
<u>Espagnolette Locks</u>	75 - 78
<u>Clip Locks</u>	79 - 82
<u>Various Locks - Muhtelif Kilitler</u>	83 - 88
<u>Hinges</u>	89 - 100
<u>Door Straps and Rods</u>	101 - 103
<u>Cenlo Products</u>	104 - 108
<u>About Want&Get</u>	109

LUGGAGE LOCKS

LUGGAGE LOCKS



MBDO00241.000.L left (illus.)
MBDO00241.000.R right



Rotary Catch Lock

Place of Use For luggage compartment locks for coaches

Material Zinc-plated steel

Weight 247 g/each

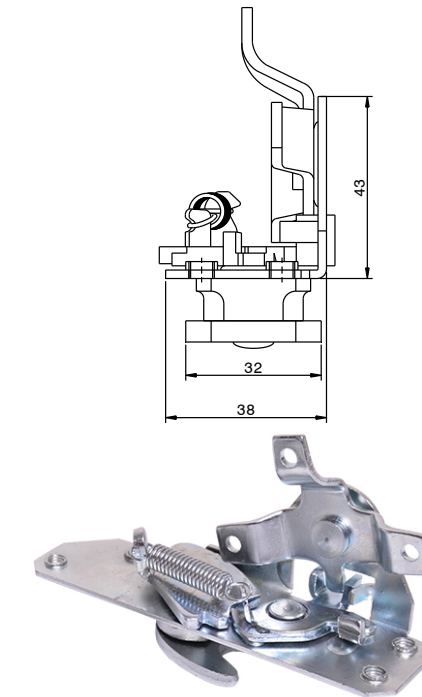
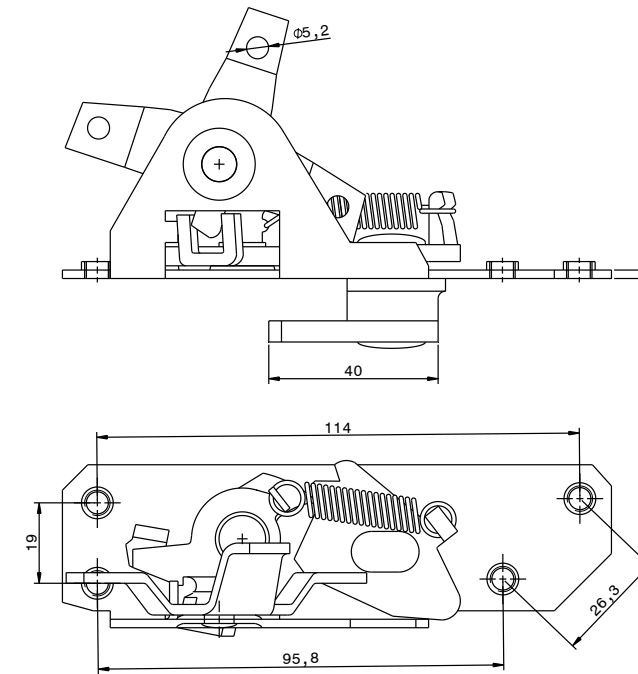
MBDO00241.00N.L left (Nickel Plated Steel)
MBDO00241.00N.R right (Symmetric Product)

MBDO00241.00P.L left (Stainless Steel)
MBDO00241.00P.R right (Symmetric Product)

Related Products

MBDO00242.000.0 (Page: 40)
MBDO00221.000.0 (Page: 23)
MBDO00263.000.L (Page: 41)
MBDO00263.000.R (Page: 41)
MBDO00276.000.0 (Page: 42)

MBDO00261.000.L left (illus.)
MBDO00261.000.R right



Rotary Catch Lock

Place of Use For luggage compartment locks for coaches

Material Zinc-plated steel

Weight 258 g/each

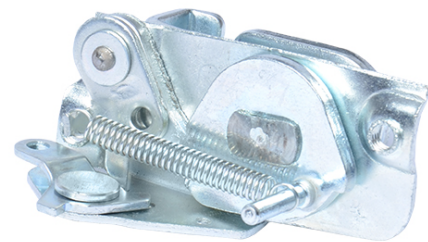
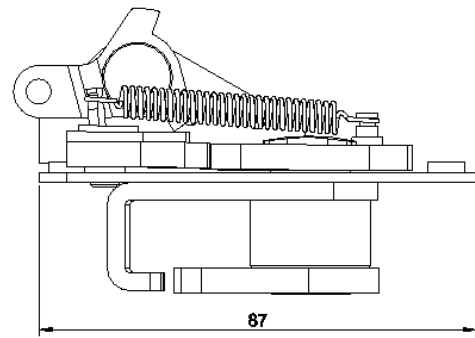
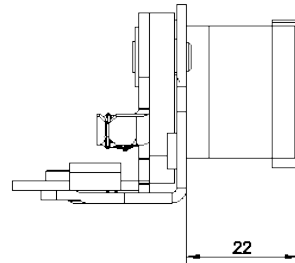
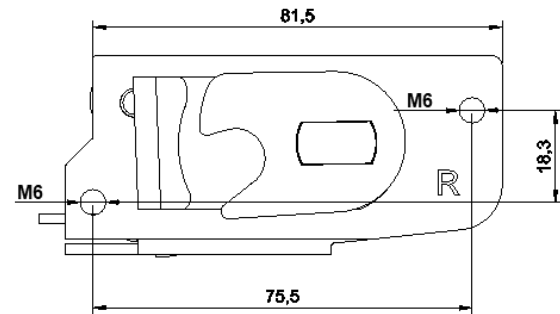
MBDO00261.00N.L left (Nickel plated steel)
MBDO00261.00N.R right (Symmetric Product)

MBDO00261.00P.L left (Stainless steel)
MBDO00261.00P.R right (Symmetric Product)

Related Products

MBDO00263.000.L (Page: 41)
MBDO00263.000.R (Page: 41)
MBDO00276.000.0 (Page: 42)
MBDO00251.000.0 (Page: 25)
MBDO00251.001.0 (Page: 26)

MBDO00281.000.R right (illus.)
MBDO00281.000.L left



Rotary Catch Lock

Place of Use	For luggage compartment locks for coaches
Material	Zinc-plated steel
Weight	271 g/each

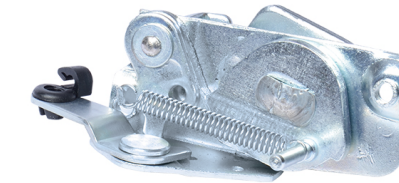
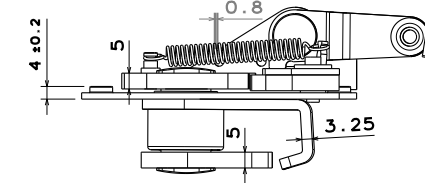
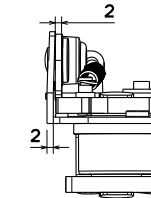
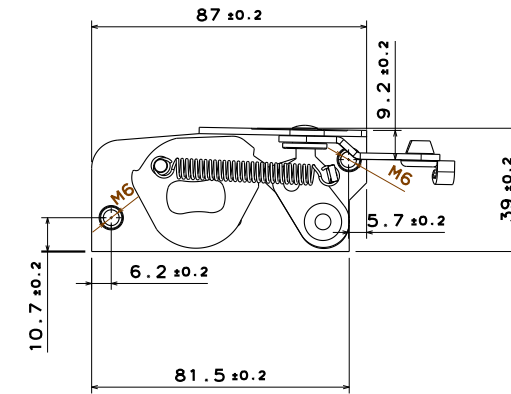
MBDO00281.00N.L left (Nickel Plated Steel)
MBDO00281.00N.R right (Symmetric Product)

MBDO00281.00P.L left (Stainless Steel)
MBDO00281.00P.R right (Symmetric Product)

Related Products

MBDO00292.000.0 (Page: 44)	MBDO00290.00V.0 (Page: 29)
MBDO00292.010.0 (Page: 45)	MBDO00290.0VP.0 (Page: 29)
MBDO00280.000.0 (Page: 27)	MBDO00299.000.0 (Page: 30)
MBDO00280.00P.0 (Page: 27)	MBDO00299.00P.0 (Page: 30)
MBDO00285.000.0 (Page: 28)	MBDO00299.00V.0 (Page: 30)
MBDO00285.00P.0 (Page: 28)	MBDO00299.0VP.0 (Page: 30)
MBDO00290.000.0 (Page: 29)	MBDO00300.000.0 (Page: 31)
MBDO00290.00P.0 (Page: 29)	

MBDO00281.010.L left (illus.)
MBDO00281.010.R right



Rotary Catch Lock

Place of Use	For luggage compartment locks for coaches
Material	Zinc-plated steel
Weight	274 g/each

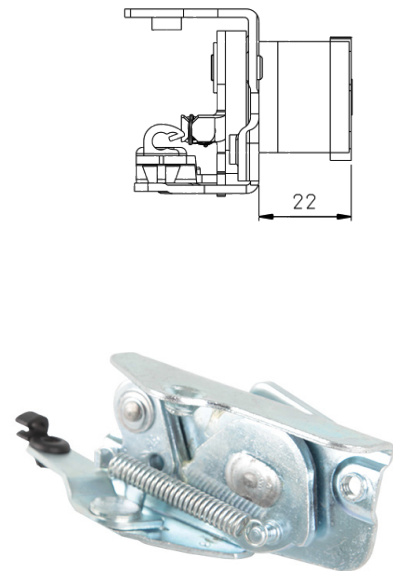
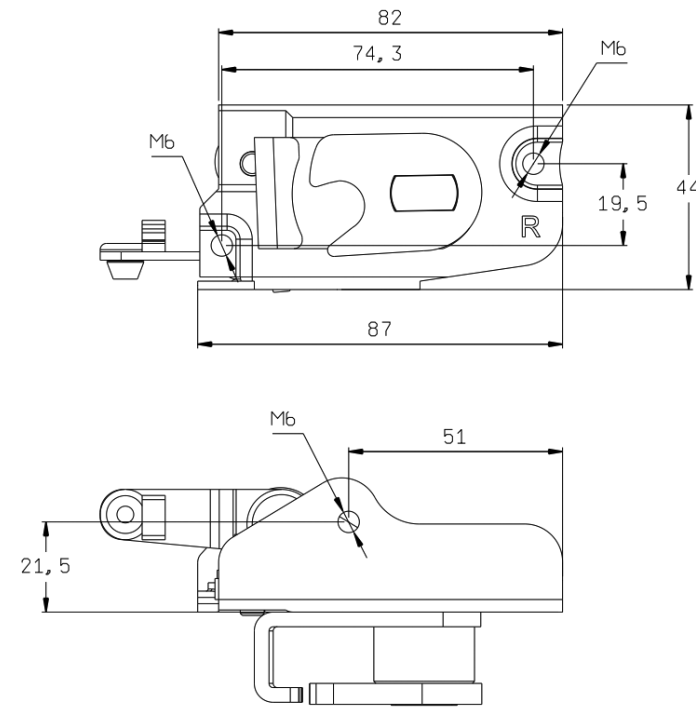
MBDO00281.01N.L left (Nickel plated steel)
MBDO00281.01N.R right (Symmetric Product)

MBDO00281.01P.L left (Stainless steel)
MBDO00281.01P.R right (Symmetric Product)

Related Products

MBDO00292.000.0 (Page: 44)	MBDO00290.00V.0 (Page: 29)
MBDO00292.010.0 (Page: 45)	MBDO00290.0VP.0 (Page: 29)
MBDO00280.000.0 (Page: 27)	MBDO00299.000.0 (Page: 30)
MBDO00280.00P.0 (Page: 27)	MBDO00299.00P.0 (Page: 30)
MBDO00285.000.0 (Page: 28)	MBDO00299.00V.0 (Page: 30)
MBDO00285.00P.0 (Page: 28)	MBDO00299.0VP.0 (Page: 30)
MBDO00290.000.0 (Page: 29)	MBDO00300.000.0 (Page: 31)
MBDO00290.00P.0 (Page: 29)	

MBDO00291.000.R right (illus.)
MBDO00291.000.L left



Rotary Catch Lock

Place of Use	For luggage compartment lock for coaches
Material	Zinc-plated steel
Weight	303 g/each

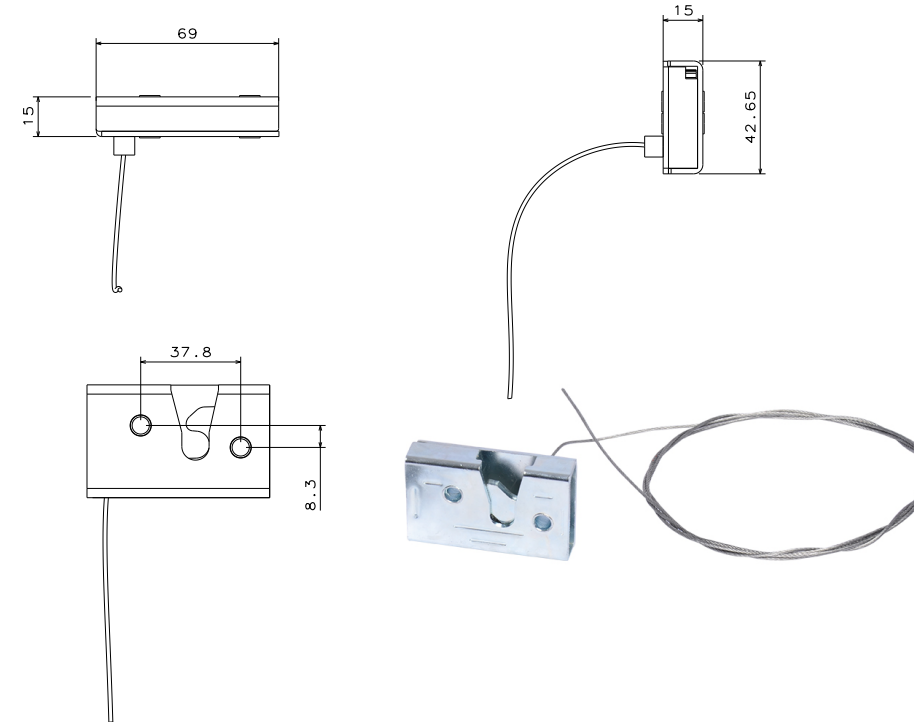
MBDO00291.00N.L left (Nickel Plated Steel)
MBDO00291.00N.R right (Symmetric Product)

MBDO00291.00P.L left (Stainless Steel)
MBDO00291.00P.R right (Symmetric Product)

Related Products

MBDO00292.000.0 (Page: 44)
MBDO00292.010.0 (Page: 45)
MBDO00280.000.0 (Page: 27)
MBDO00280.00P.0 (Page: 27)
MBDO00285.000.0 (Page: 28)
MBDO00285.00P.0 (Page: 28)
MBDO00290.000.0 (Page: 29)
MBDO00290.00P.0 (Page: 29)
MBDO00290.00V.0 (Page: 29)
MBDO00290.0VP.0 (Page: 29)
MBDO00299.000.0 (Page: 30)
MBDO00299.00P.0 (Page: 30)
MBDO00299.00V.0 (Page: 30)
MBDO00299.0VP.0 (Page: 30)
MBDO00300.000.0 (Page: 31)

MBDO00802.000.L left (illus.)
MBDO00802.000.R right



Rotary Catch Lock

Place of Use	For luggage compartment lock for coaches
Material	Zinc-plated steel
Weight	200 g/each

MBDO00802.00N.L left (Nickel plated steel)
MBDO00802.00N.R right (Symmetric Product)

MBDO00802.00P.L left (Stainless steel)
MBDO00802.00P.R right (Symmetric Product)

Related Products

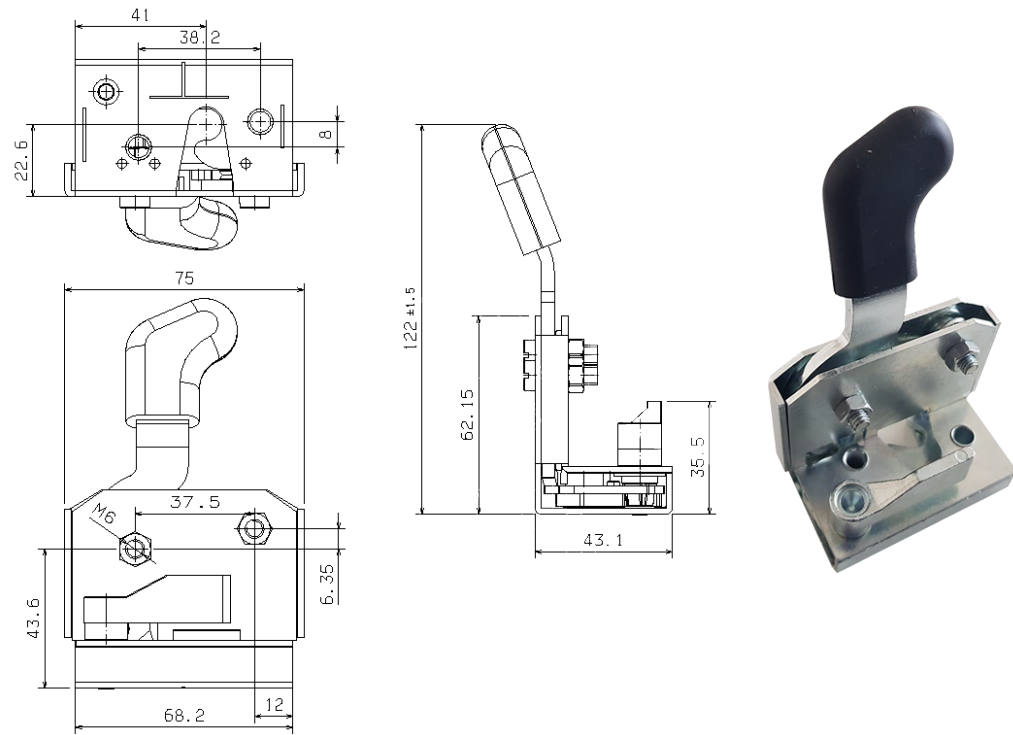
MBDO00803.000.0 (Page: 43)

CABIN LOCKS



CABIN LOCKS

MBDO01001.000.R right (illus.)
MBDO01001.000.L left



Rotary Catch Lock

Place of Use Zinc-plated steel, with reinforcement plate, pre-assembled plastic, black interior handle combinations

Material Zinc-plated steel

Weight 389 g/each

MBDO01001.00N.L left (Nickel plated steel)
MBDO01001.00N.R right (Symmetric Product)

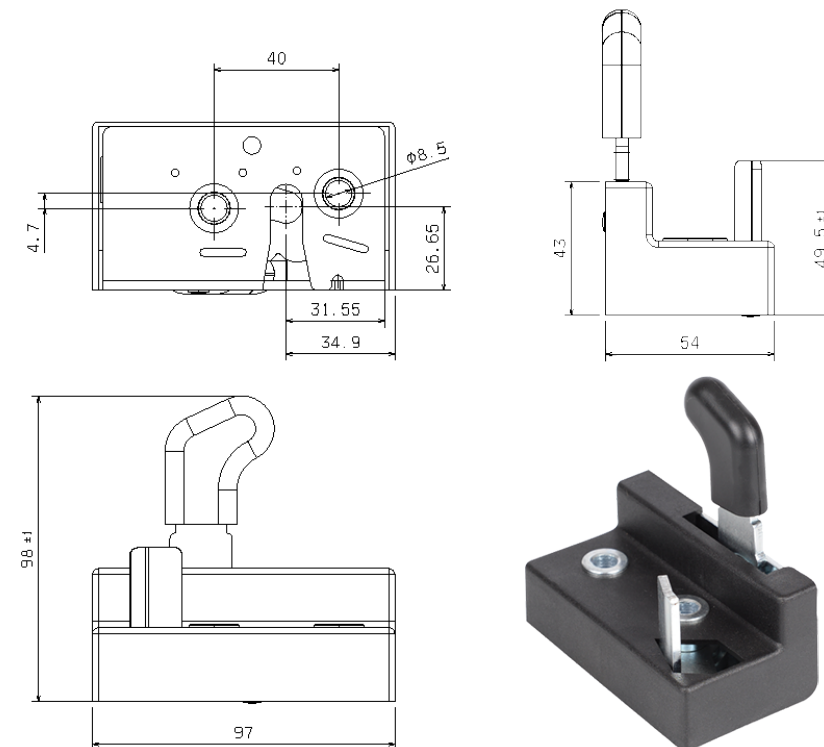
MBDO01001.00P.L left (Stainless steel)
MBDO01001.00P.R right (Symmetric Product)

MBDO01001.00B.L Black zinc plated steel
MBDO01001.00B.R right (Symmetric Product)

Related Products

MBDO02002.000.0 (Page: 49)
MBDO03002.001.0 (Page: 32)
MBDO03002.002.0 (Page: 33)
MBDO03002.003.0 (Page: 34)
MBDO03003.000.L (Page: 35)
MBDO03003.000.R (Page: 35)

MBDO01003.000.R right (illus.)
MBDO01003.000.L left



Rotary Catch Lock

Place of Use Zinc-plated steel, with reinforcement plate, pre-assembled plastic, black interior handle combinations

Material Zinc-plated steel

Weight 407 g/each

MBDO01003.00N.L left (Nickel plated steel)
MBDO01003.00N.R right (Symmetric Product)

MBDO01003.00P.L left (Stainless steel)
MBDO01003.00P.R right (Symmetric Product)

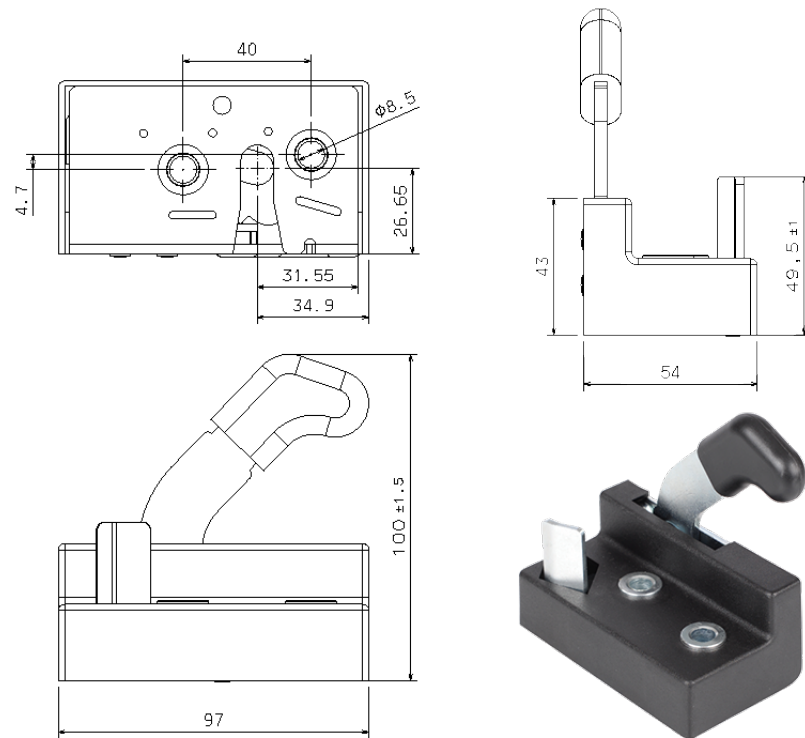
MBDO01003.00B.L Black zinc plated steel
MBDO01003.00B.R right (Symmetric Product)

Related Products

MBDO02001.000.0 (Page: 48)
MBDO03002.001.0 (Page: 32)
MBDO03002.002.0 (Page: 33)
MBDO03002.003.0 (Page: 34)
MBDO03003.000.L (Page: 35)
MBDO03003.000.R (Page: 35)

Bagaj Kilidi

MBDO01007.000.R right (illus.)
 MBDO01007.000.L left



Rotary Catch Lock

Place of Use Zinc-plated steel, without safety catch
 pre-assembled plastic,
 black interior handle combinations

Material Zinc-plated steel

Weight 417 g/each

MBDO01007.00N.L left (Nickel plated steel)
 MBDO01007.00N.R right (Symmetric Product)

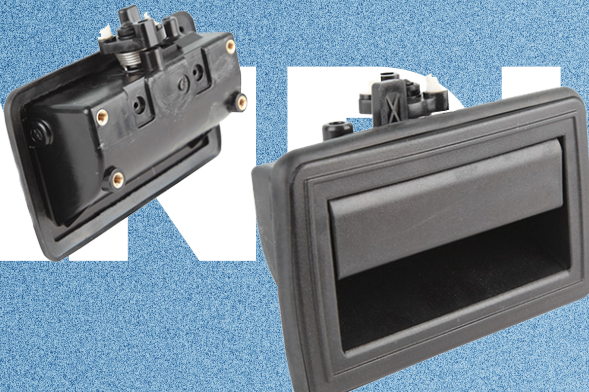
MBDO01007.00P.L left (Stainless steel)
 MBDO01007.00P.R right (Symmetric Product)

MBDO01007.00B.L Black zinc plated steel
 MBDO01007.00B.R right (Symmetric Product)

Related Products

- MBDO02001.000.0 (Page: 48)
- MBDO03002.001.0 (Page: 32)
- MBDO03002.002.0 (Page: 33)
- MBDO03002.003.0 (Page: 34)
- MBDO03003.000.L (Page: 35)
- MBDO03003.000.R (Page: 35)

HANDLES

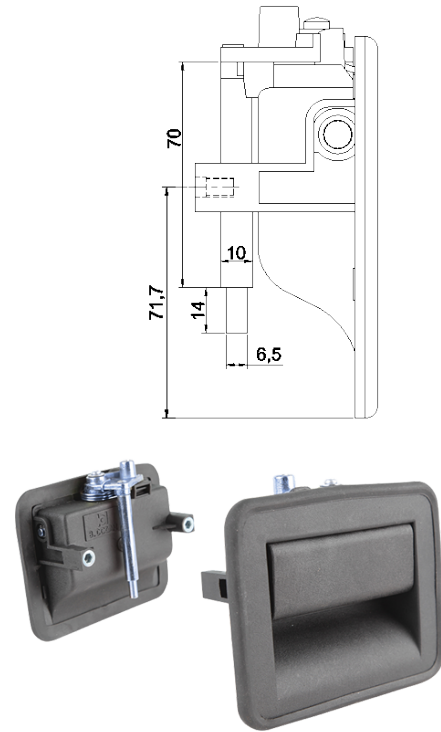
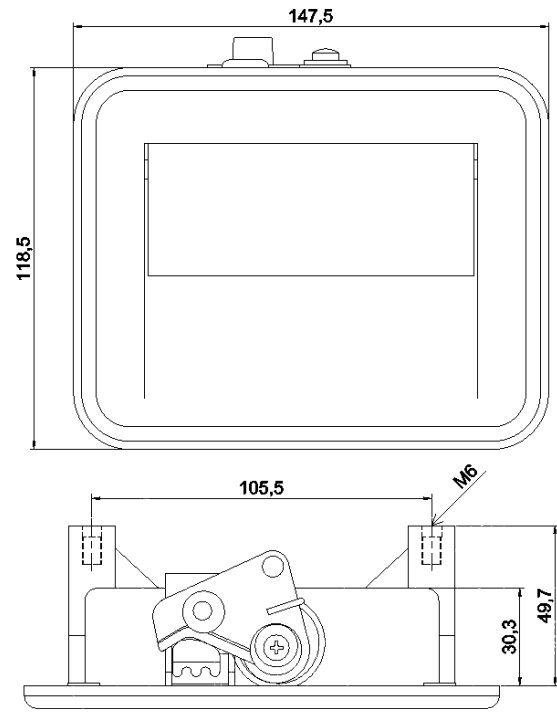


HANDLES

P. 21 - 36

S. 21 - 36

MBDO00221.000.0



Luggage Compartment Handle

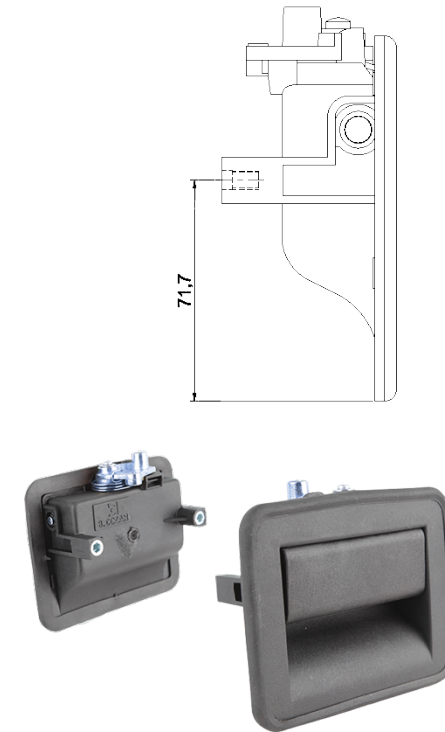
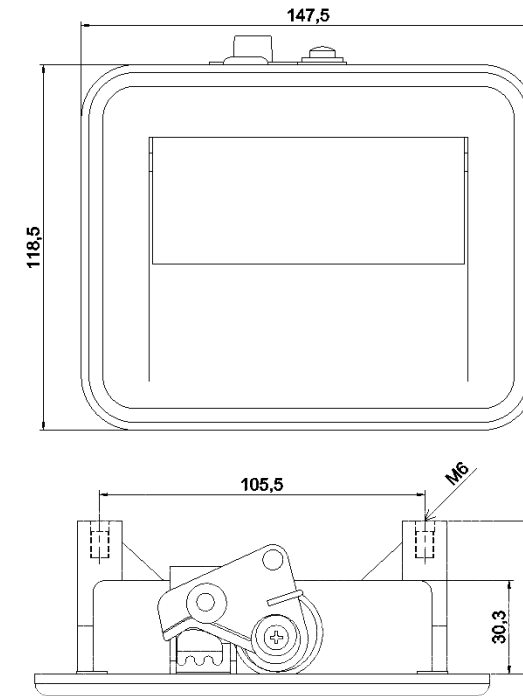
Place of Use Luggage compartment handle for coach luggage compartments, plastic, black

Material EPDM moulded rubber seal
PA6 %30 GFR

Related Products

MBDO00241.000.L (Page: 9)
MBDO00241.000.R (Page: 9)

MBDO00222.000.0



Luggage Compartment Handle

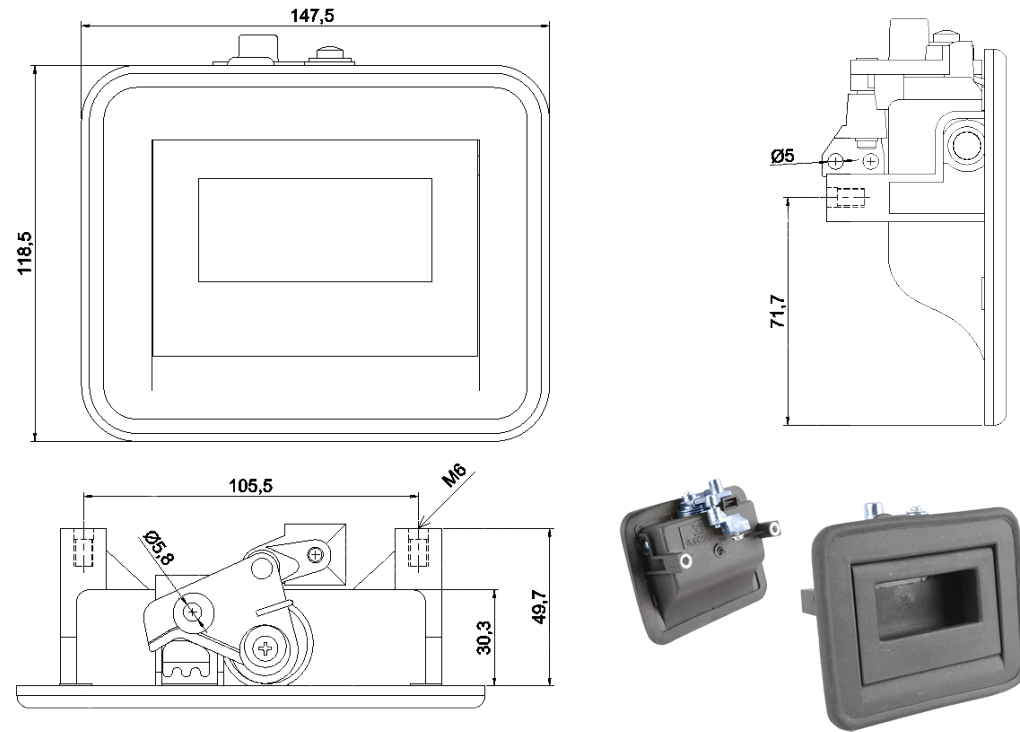
Place of Use Luggage compartment handle for coach luggage compartments, plastic, black

Material EPDM moulded rubber seal
PA6 %30 GFR

Related Products

MBDO00241.000.L (Page: 9)
MBDO00241.000.R (Page: 9)

MBDO00251.000.0



Luggage Compartment Handle

Place of Use Luggage compartment handle for coach luggage compartments, plastic, black

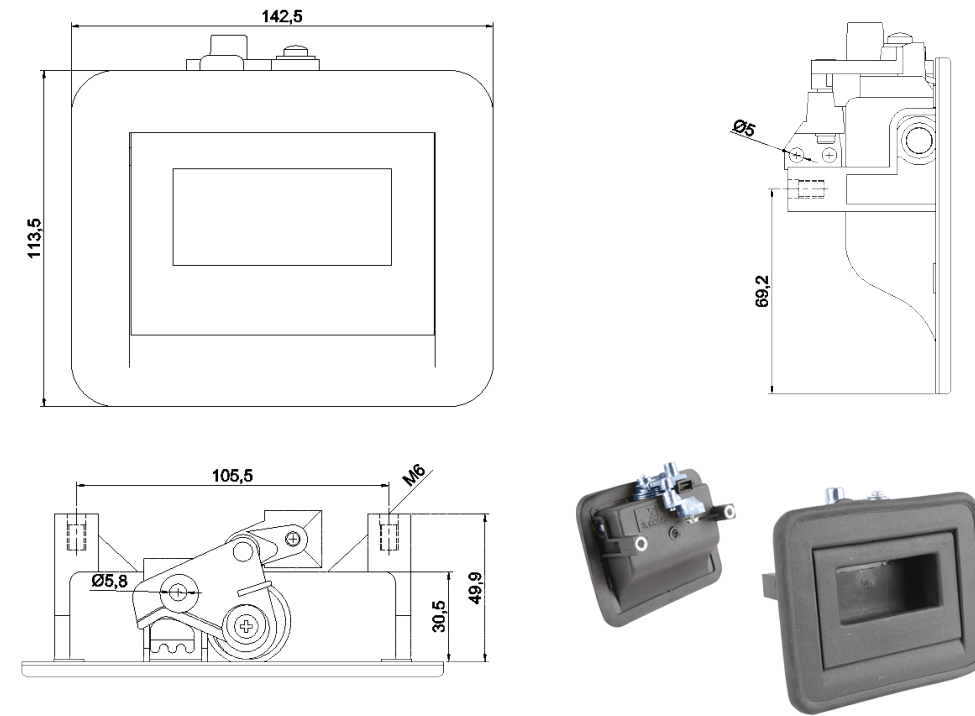
Material EPDM moulded rubber seal
PA6 %30 GFR

Weight 352 g/each

Related Products

MBDO00261.000.L (Page: 10)
MBDO00261.000.R (Page: 10)

MBDO0025101.000.0



Luggage Compartment Handle

Place of Use Luggage compartment handle for coach luggage compartments, plastic, black

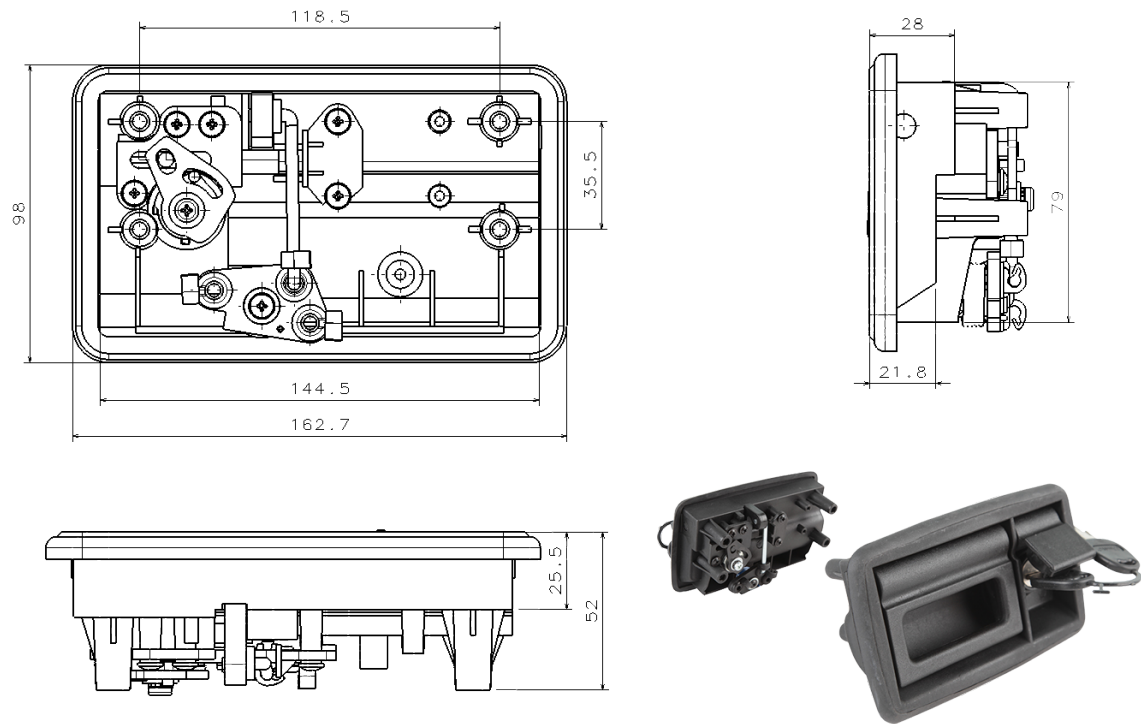
Material EPDM moulded rubber seal
PA6 %30 GFR

Weight 337 g/each

Related Products

MBDO00261.000.L (Page: 10)
MBDO00261.000.R (Page: 10)

MBDO00280.000.0



Luggage Compartment Handle

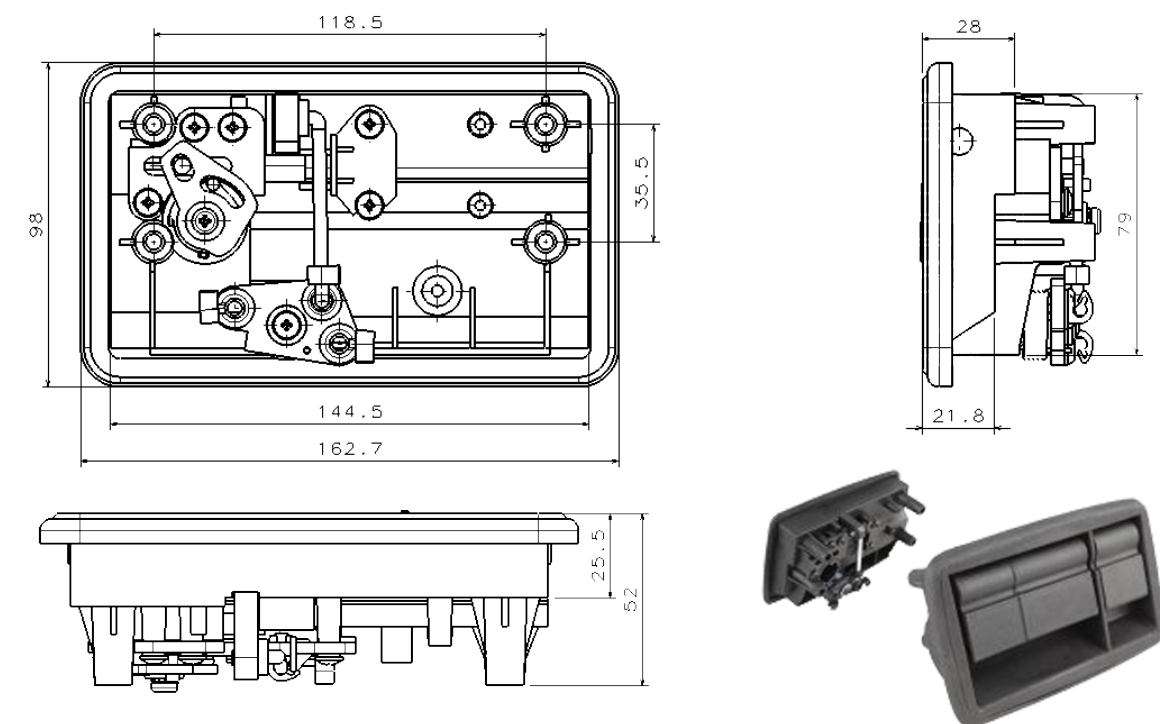
Place of Use	Luggage compartment handle for coach luggage compartments, plastic, black
Material	EPDM moulded rubber seal PA6 %30 GFR
Weight	399 g/each

MBDO00280.00P.0 Handle

Related Products

MBDO00281.000.L (Page: 11)
 MBDO00281.000.R (Page: 11)
 MBDO00281.010.L (Page: 12)
 MBDO00281.010.R (Page: 12)
 MBDO000291.000.L (Page: 13)
 MBDO000291.000.R (Page: 13)

MBDO00285.000.0



Luggage Compartment Handle

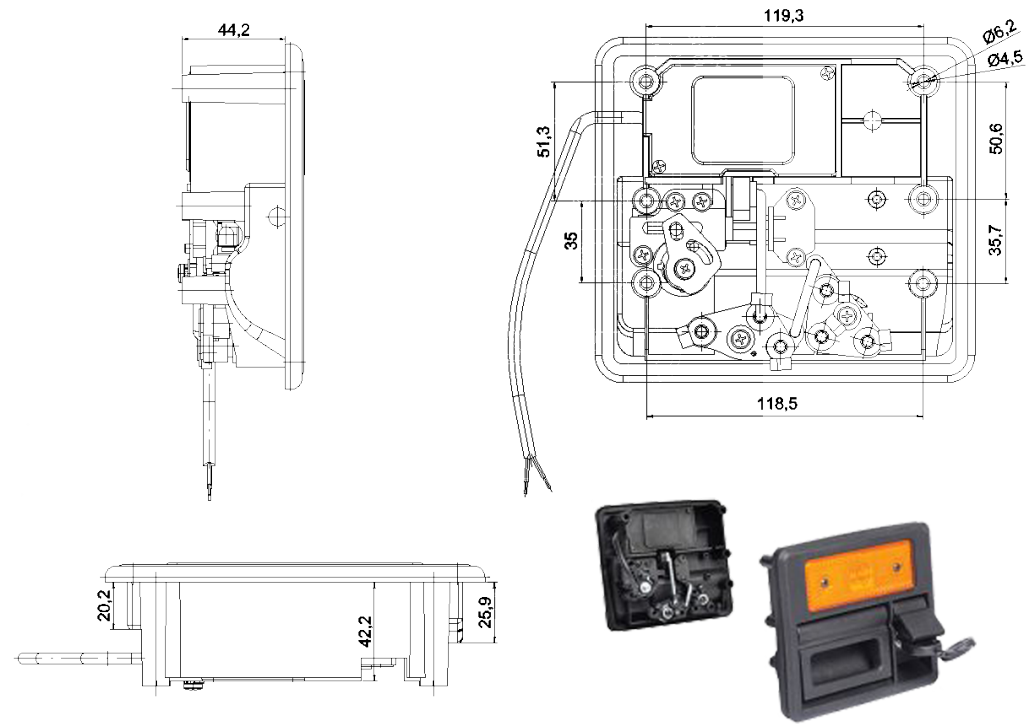
Place of Use	Luggage compartment handle for coach luggage compartments, plastic, black
Material	EPDM moulded rubber seal PA6 %30 GFR
Weight	389 g/each

MBDO00285.00P.0 Handle

Related Products

MBDO00281.000.L (Page: 11)
 MBDO00281.000.R (Page: 11)
 MBDO00281.010.L (Page: 12)
 MBDO00281.010.R (Page: 12)
 MBDO000291.000.L (Page: 13)
 MBDO000291.000.R (Page: 13)

MBDO00290.000.0



Luggage Compartment Handle

Place of Use Luggage compartment handle – with SML* (LED) for coach luggage compartments, plastic, black

Material EPDM moulded rubber seal
PA6 %30 GFR

Weight 575 g/each

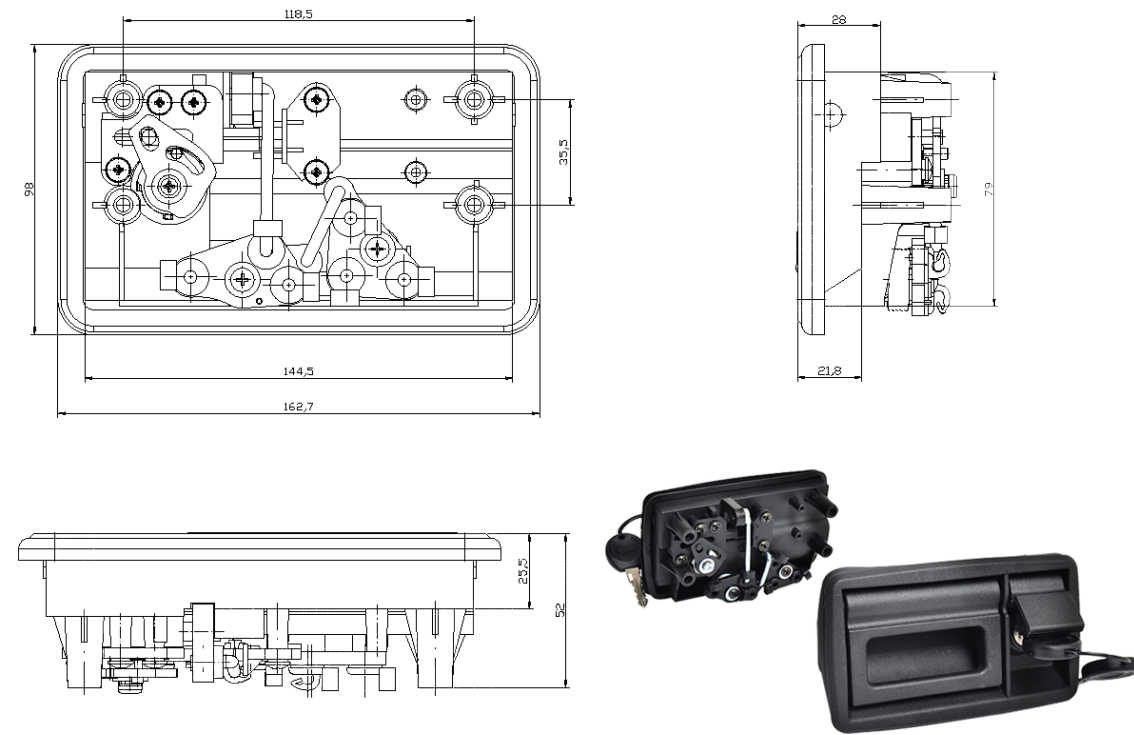
*SML = side marker light

MBDO00290.00P.0 Handle
MBDO00290.00V.0 Handle
MBDO00290.0VP.0 Handle

Related Products

MBDO00281.000.L (Page: 11)
MBDO00281.000.R (Page: 11)
MBDO00281.010.L (Page: 12)
MBDO00281.010.R (Page: 12)
MBDO000291.000.L (Page: 13)
MBDO000291.000.R (Page: 13)

MBDO00299.000.0



Luggage Compartment Handle

Place of Use Luggage compartment handle for coach luggage compartments, plastic, black

Material EPDM moulded rubber seal
PA6 %30 GFR

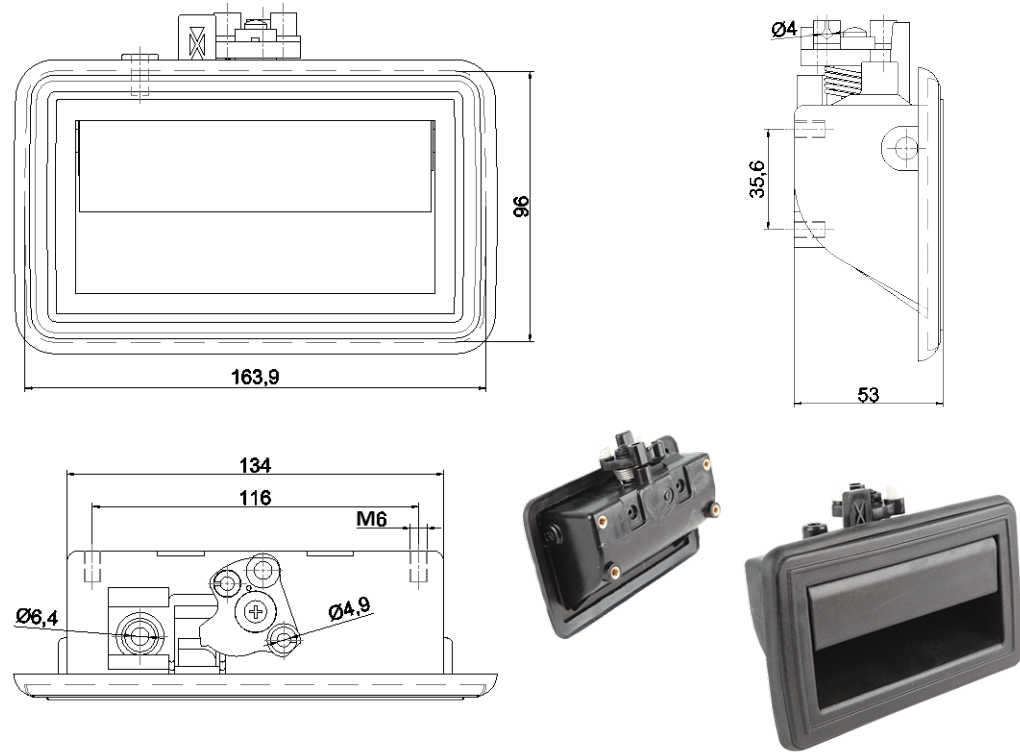
Weight 410 g/each

MBDO00299.00P.0 Handle
MBDO00299.00V.0 Handle
MBDO00299.0VP.0 Handle

Related Products

MBDO00281.000.L (Page: 11)
MBDO00281.000.R (Page: 11)
MBDO00281.010.L (Page: 12)
MBDO00281.010.R (Page: 12)
MBDO000291.000.L (Page: 13)
MBDO000291.000.R (Page: 13)

MBDO00300.000.0



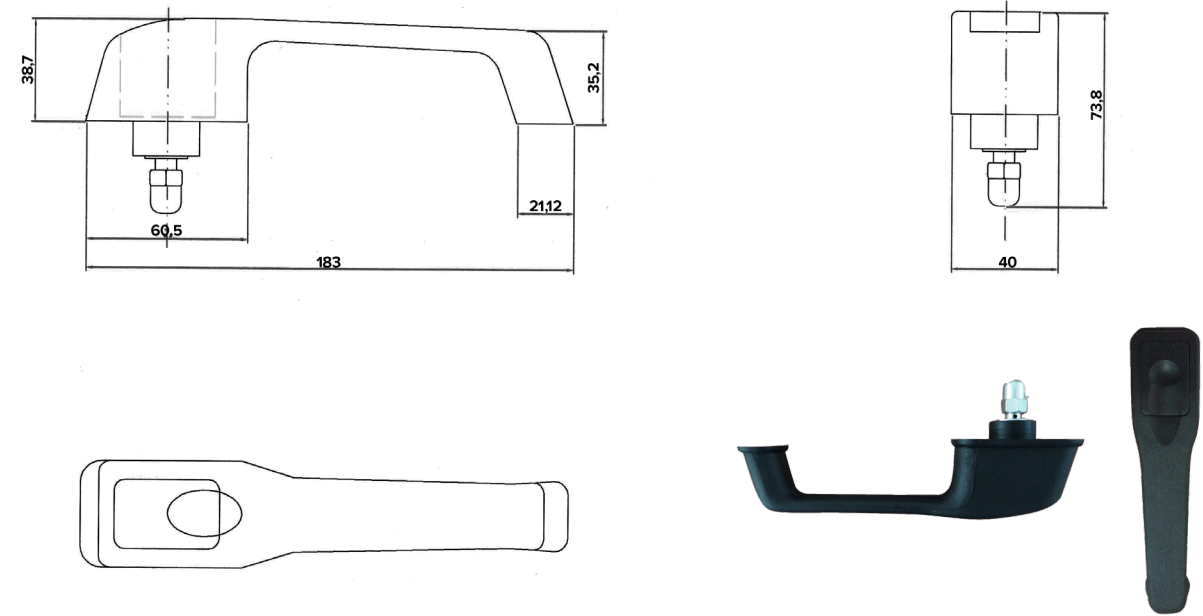
Luggage Compartment Handle

Place of Use	Luggage compartment handle for coach luggage compartments, plastic, black
Material	EPDM moulded rubber seal PA6 %30 GFR
Weight	358 g/each

Related Products

[MBDO00281.000.L \(Page: 11\)](#)
[MBDO00281.000.R \(Page: 11\)](#)
[MBDO00281.010.L \(Page: 12\)](#)
[MBDO00281.010.R \(Page: 12\)](#)
[MBDO000291.000.L \(Page: 13\)](#)
[MBDO000291.000.R \(Page: 13\)](#)

MBDO03002.001.0



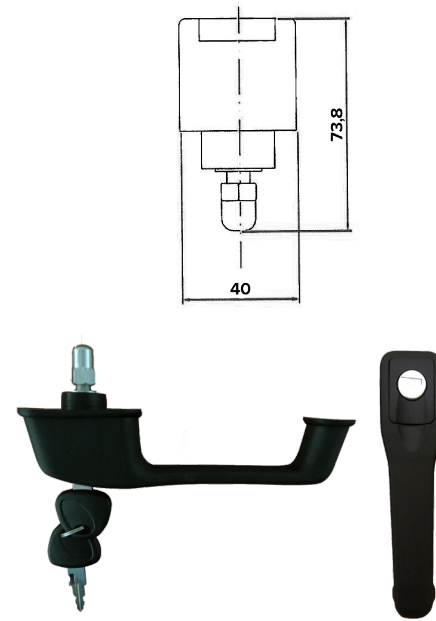
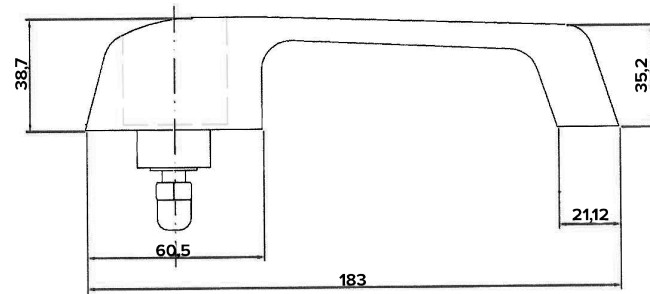
Door Compartment Handle

Place of Use	Door compartment handle for coach door compartments, plastic, black
Material	EPDM moulded rubber seal PA6 %30 GFR
Weight	357 g/each

Related Products

[MBDO01001.000.L \(Page: 17\)](#)
[MBDO01001.000.R \(Page: 17\)](#)
[MBDO01003.000.L \(Page: 18\)](#)
[MBDO01003.000.R \(Page: 18\)](#)
[MBDO01007.000.L \(Page: 19\)](#)
[MBDO01007.000.R \(Page: 19\)](#)

MBDO03002.002.0



Luggage Compartment Handle

Place of Use Luggage compartment handle for coach luggage compartments, plastic, black

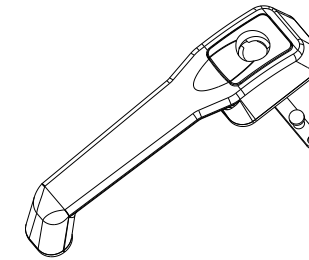
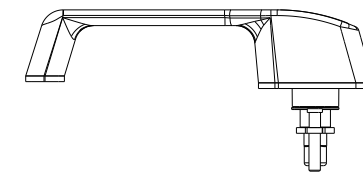
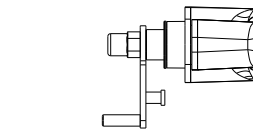
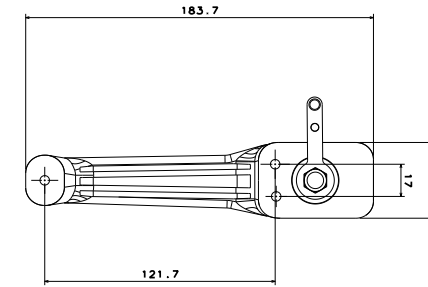
Material EPDM moulded rubber seal
PA6 %30 GFR

Weight 357 g/each

Related Products

- MBDO01001.000.L (Page: 17)
- MBDO01001.000.R (Page: 17)
- MBDO01003.000.L (Page: 18)
- MBDO01003.000.R (Page: 18)
- MBDO01007.000.L (Page: 19)
- MBDO01007.000.R (Page: 19)

MBDO03002.003.0



Luggage Compartment Handle

Place of Use Door compartment handle for coach door compartments, plastic, black

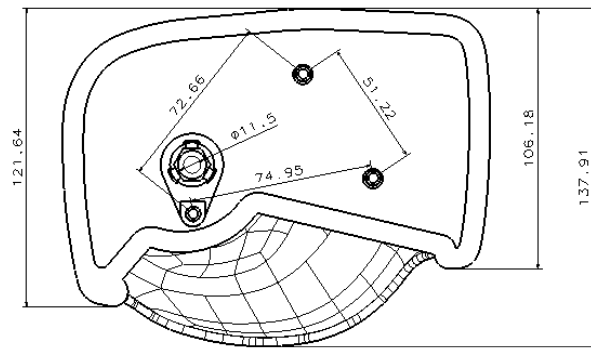
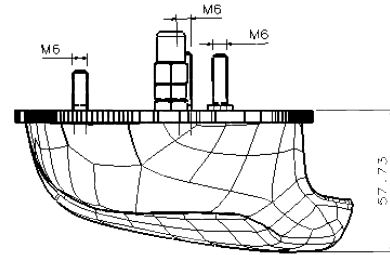
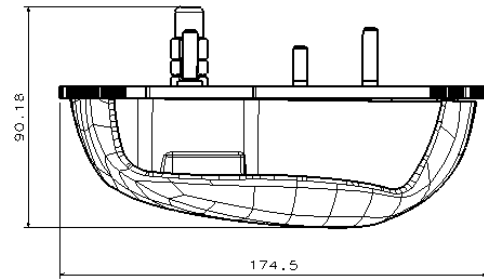
Material EPDM moulded rubber seal
PA6 %30 GFR

Weight 357 g/each

Related Products

- MBDO01001.000.L (Page: 17)
- MBDO01001.000.R (Page: 17)
- MBDO01003.000.L (Page: 18)
- MBDO01003.000.R (Page: 18)
- MBDO01007.000.L (Page: 19)
- MBDO01007.000.R (Page: 19)

MBDO03003.000.L left (illus.)
MBDO03003.000.R right



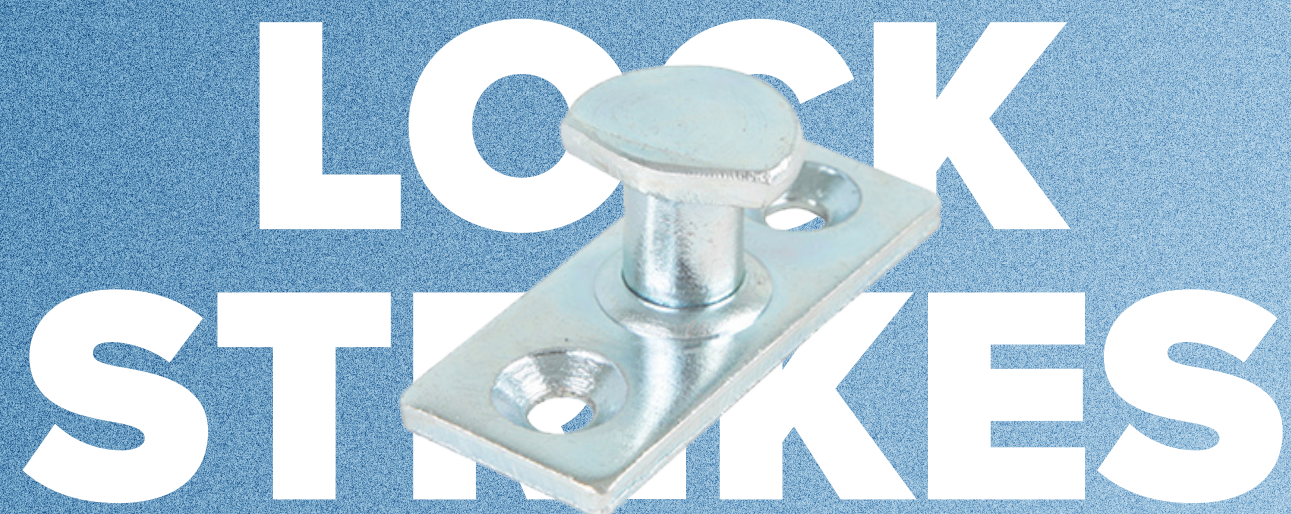
Door Compartment Handle

Place of Use	Door compartment handle for coach door compartments, plastic, black
Material	EPDM moulded rubber seal PA6 %30 GFR
Weight	357 g/each

Related Products

MBDO01001.000.L (Page: 17)
MBDO01001.000.R (Page: 17)
MBDO01003.000.L (Page: 18)
MBDO01003.000.R (Page: 18)
MBDO01007.000.L (Page: 19)
MBDO01007.000.R (Page: 19)

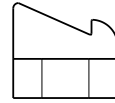
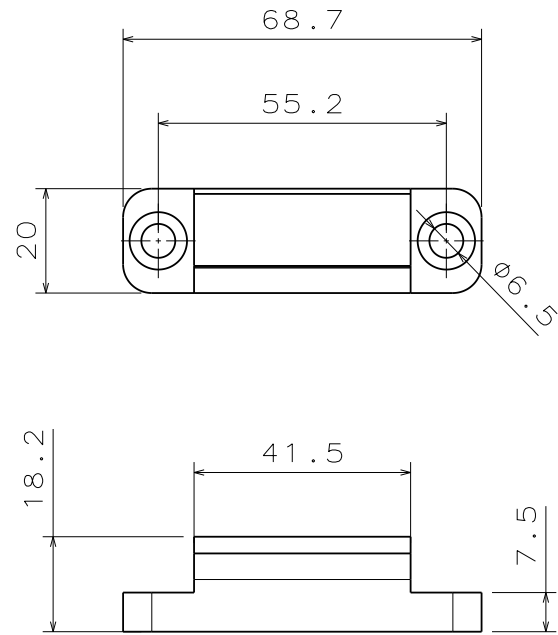
LOCK STRIKES



P. 37 - 50

S. 37 - 50

MBDO00113.000.0



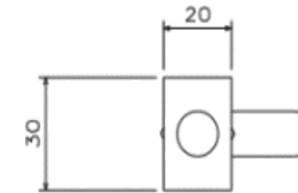
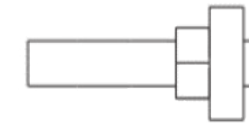
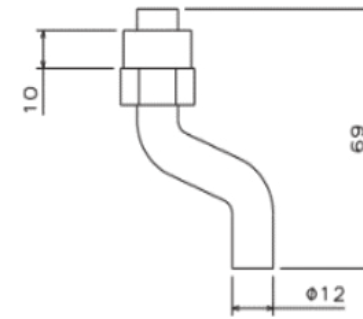
Strike Pin

Place of Use	For door locks
Material	Black zinc-plated Steel Casting

Related Products

- MBDO00109.000.R (Page: 69)
- MBDO00109.000.L (Page: 69)
- MBDO00111.000.L (Page: 70)
- MBDO00111.000.R (Page: 70)
- MBDO00112.000.L (Page: 71)
- MBDO00112.000.R (Page: 71)

MBDO00242.000.0



Strike Pin

Place of Use	For rotary catch locks
Material	Zinc-plated Steel

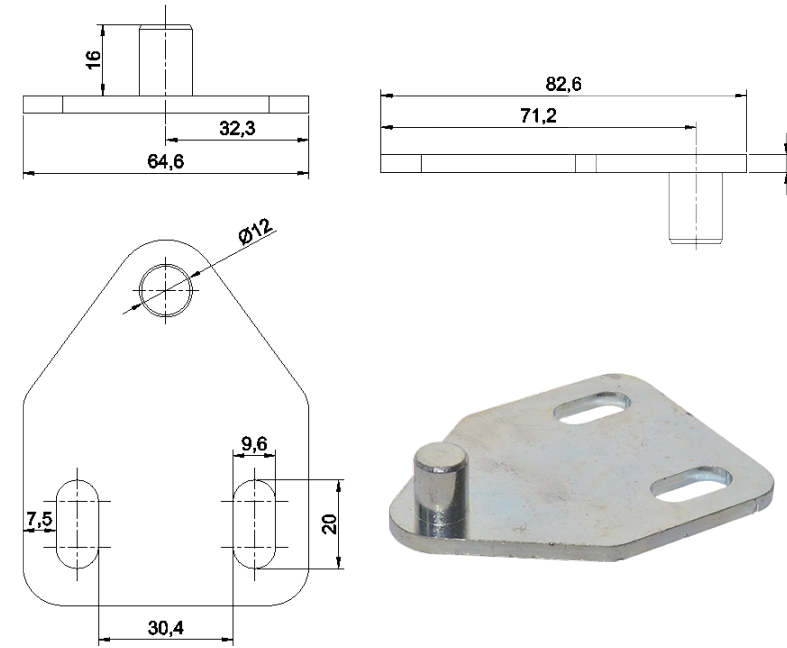
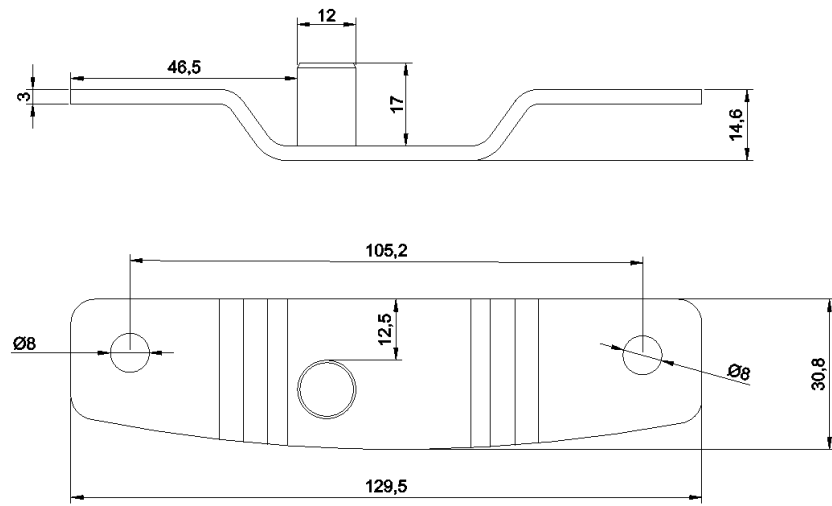
MBDO00242.00N.L left (Nickel Plated Steel)
 MBDO00242.00N.R right (Symmetric Product)

Related Products

- MBDO00241.000.L (Page: 9)
- MBDO00241.000.R (Page: 9)

MBDO00263.000.L left (illus.)
MBDO00263.000.R right

MBDO00276.000.0



Strike Pin

Place of Use For rotary catch Locks

Material Zinc-plated Steel

MBDO00263.00N.L left (Nickel Plated Steel)
MBDO00263.00N.R right (Symmetric Product)

Related Products

MBDO00241.000.L (Page: 9)
MBDO00241.000.R (Page: 9)
MBDO00261.000.L (Page: 10)
MBDO00261.000.R (Page: 10)

Strike Pin

Place of Use For rotary catch locks

Material Zinc-plated Steel

MBDO00276.00N.0 (Nickel Plated Steel)

Related Products

MBDO00241.000.L (Page: 9)
MBDO00241.000.R (Page: 9)
MBDO00261.000.L (Page: 10)
MBDO00261.000.R (Page: 10)

MBDO00803.000.0



Strike Pin

Place of Use For rotary catch locks

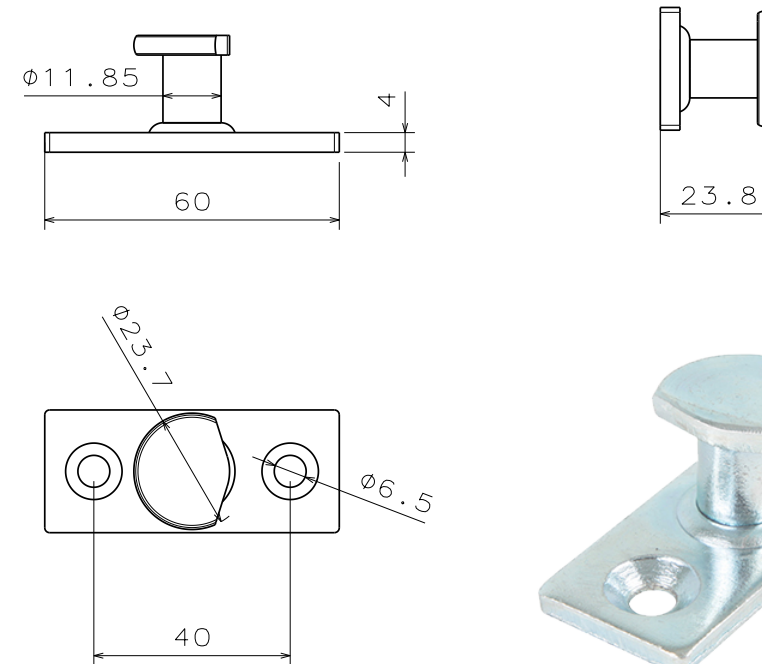
Material Zinc-plated Steel

MBDO00803.00N.L left (Nickel Plated Steel)
 MBDO00803.00N.R right (Symmetric Product)

Related Products

MBDO00802.000.L (Page: 14)
 MBDO00802.000.R (Page: 14)

MBDO00292.000.0



Strike Pin

Place of Use For rotary catch locks

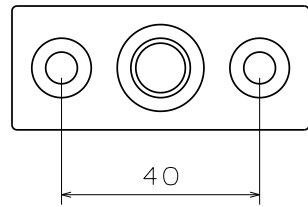
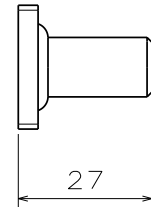
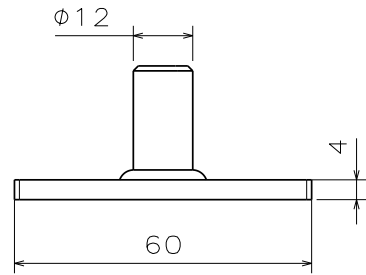
Material Zinc-plated Steel

MBDO00292.00N.0 (Nickel Plated Steel)

Related Products

MBDO00281.000.L (Page: 11)
 MBDO00281.000.R (Page: 11)
 MBDO00291.000.L (Page: 13)
 MBDO00291.000.R (Page: 13)

MBDO00292.010.0



Strike Pin

Place of Use For rotary catch locks

Material Zinc-plated Steel

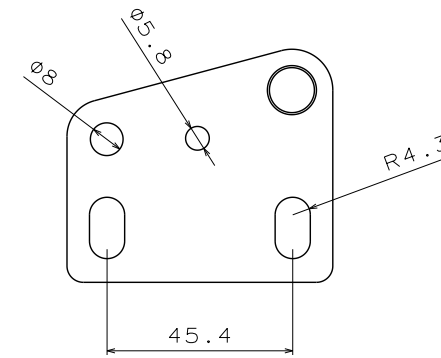
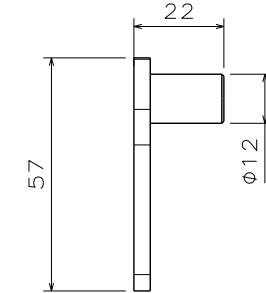
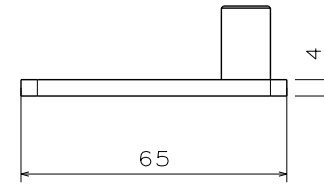
MBDO00292.01N.0 (Nickel Plated Steel)

Related Products

- MBDO00281.000.L (Page: 11)
- MBDO00281.000.R (Page: 11)
- MBDO00291.000.L (Page: 13)
- MBDO00291.000.R (Page: 13)

MBDO00293.000.L left (illus.)

MBDO00293.000.R right



Strike Pin

Place of Use For rotary catch locks

Material Zinc-plated Steel

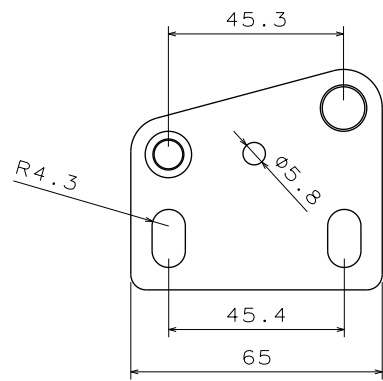
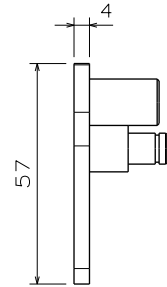
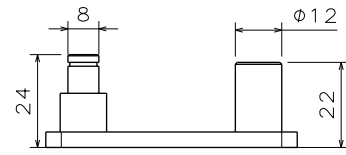
MBDO00293.00N.L left (Nickel Plated Steel)
 MBDO00293.00N.R right (Symmetric Product)

Related Products

- MBDO00281.000.L (Page: 11)
- MBDO00281.000.R (Page: 11)
- MBDO00291.000.L (Page: 13)
- MBDO00291.000.R (Page: 13)

MBDO00294.000.L left (illus.)
MBDO00294.000.R right

MBDO02001.000.0



Strike Pin

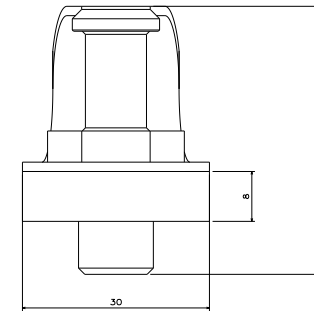
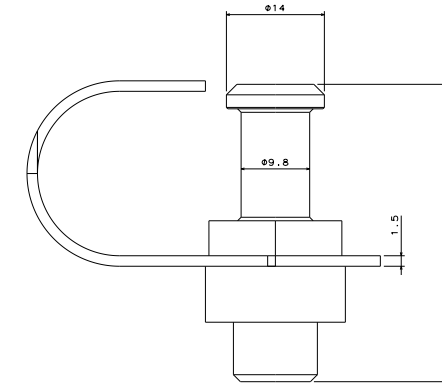
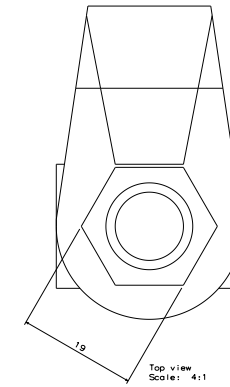
Place of Use For Rotary Catch Locks

Material Zinc-plated Steel

MBDO00294.00N.L left (Nickel Plated Steel)
MBDO00294.00N.R right (Symmetric Product)

Related Products

MBDO00281.000.L (Page: 11)
MBDO00281.000.R (Page: 11)
MBDO00291.000.L (Page: 13)
MBDO00291.000.R (Page: 13)



Strike Pin

Place of Use For cabin rotary catch locks

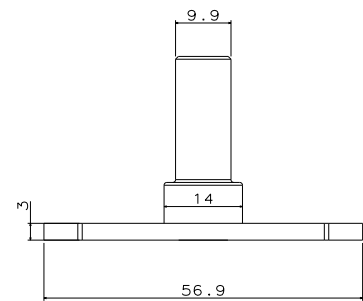
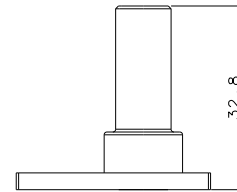
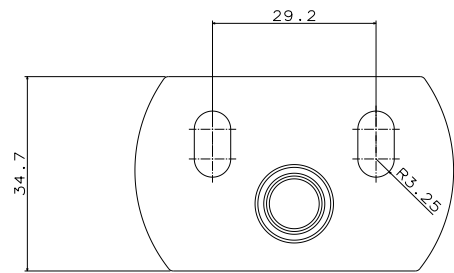
Material Black zinc-plated Steel

MBDO02001.00N.0 (Nickel Plated Steel)

Related Products

MBDO01003.000.L (Page: 18)
MBDO01003.000.R (Page: 18)
MBDO01007.000.L (Page: 19)
MBDO01007.000.R (Page: 19)

MBDO02002.000.0



Strike Pin

Place of Use For Cabin Rotary Catch Locks

Material Zinc-plated Steel


MBDO02001.00N.0 (Nickel Plated Steel)

Related Products

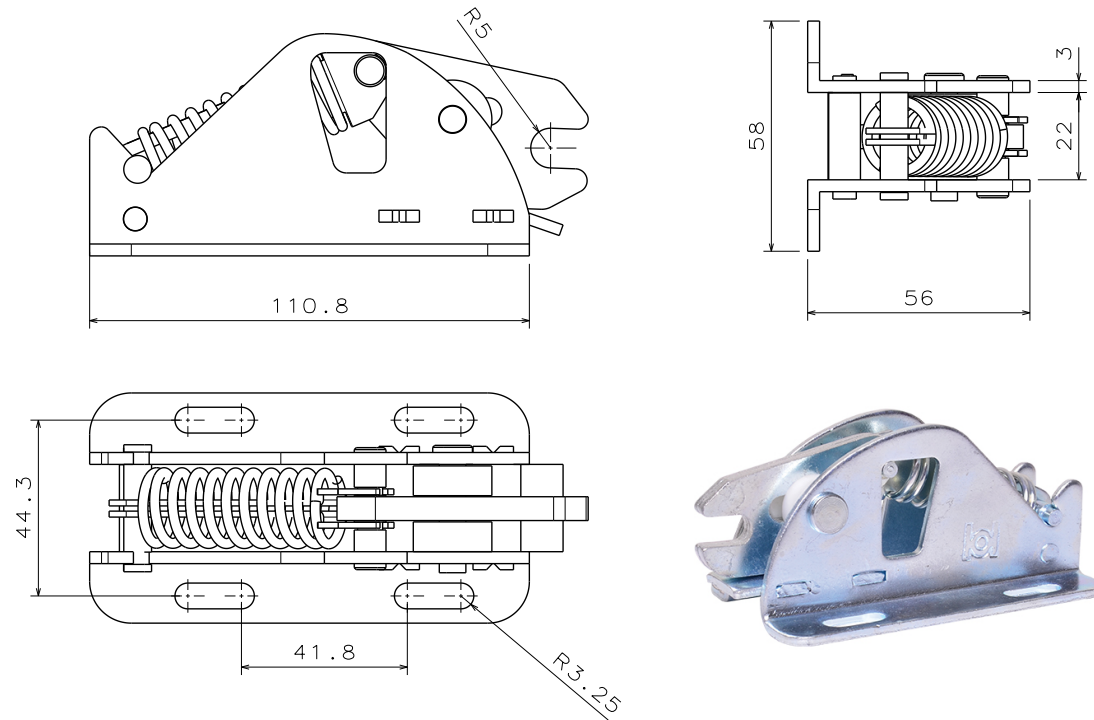
MBDO01001.000.L (Page: 17)
MBDO01001.000.R (Page: 17)

PRESSURE LOCKS

PRESSURE LOCKS



MBDO00301.000.0

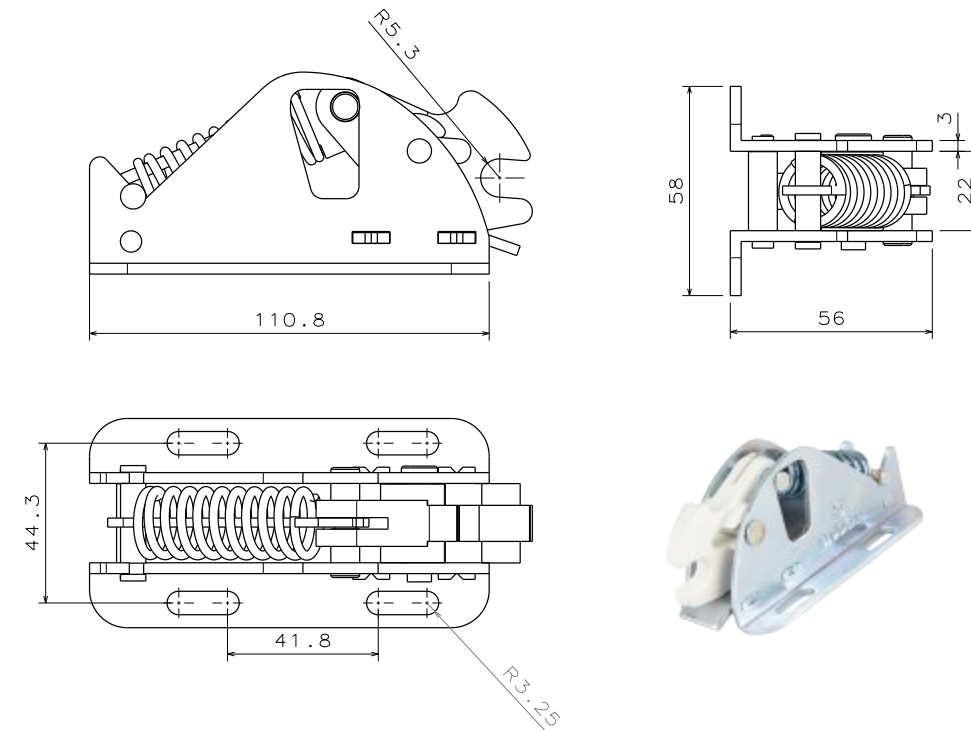


Pressure Locks

Spring Force	211.4 N / 2471 N
Material	Zinc-plated steel
Weight	365 g/each

MBDO00301.00N.0 (Nickel plated steel)
 MBDO00301.00P.0 (Stainless Steel)

MBDO00301P.000.0

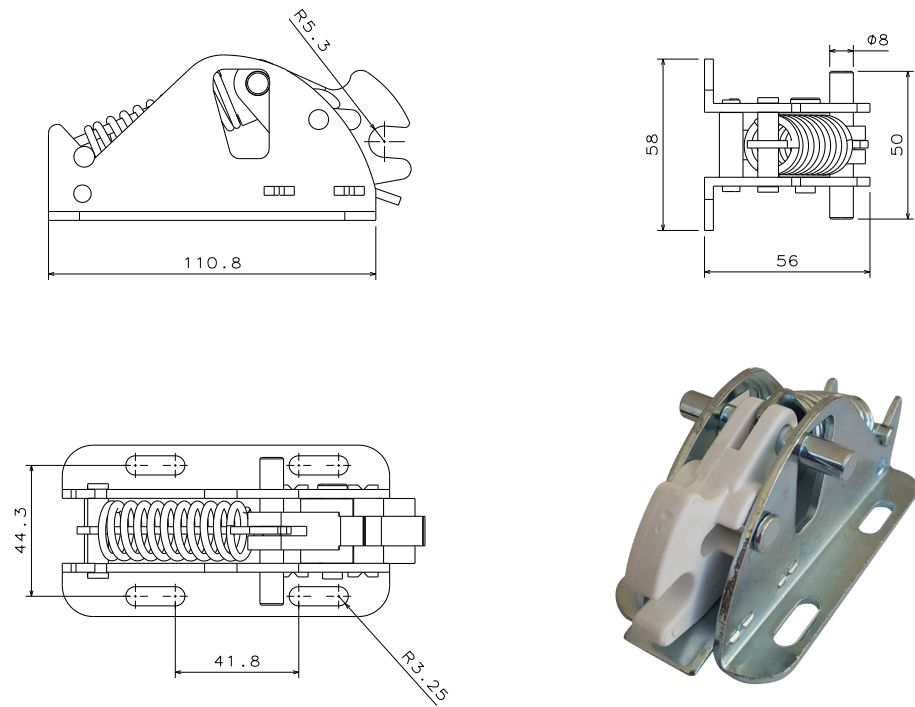


Pressure Locks

Spring Force	211.4 N / 2471 N
Material	Zinc-plated steel, PA6 %30 GFR
Weight	358 g/each

MBDO00301P.00N.0 (Nickel plated steel)
 MBDO00301P.00P.0 (Stainless Steel)

MBDO00301P.010.0

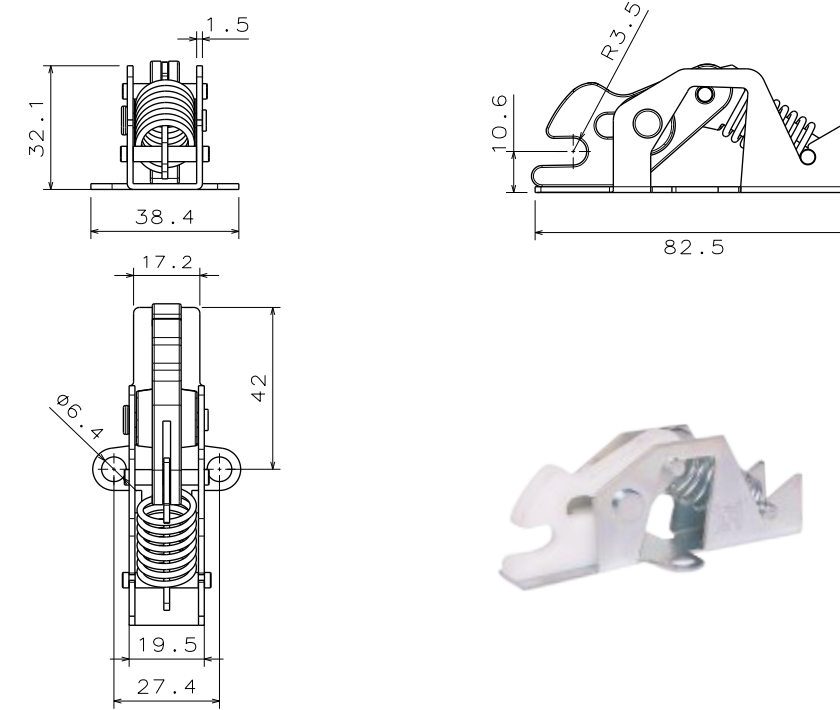


Pressure Locks

Spring Force	211.4 N / 2471 N
Material	Zinc-plated steel, PA6 %30 GFR
Weight	363 g/each

MBDO00301P.01N.0 (Nickel plated steel)
 MBDO00301P.01P.0 (Stainless Steel)

MBDO00302.000.0



Pressure Locks

Spring Force	81.2 N / 95 N
Material	Zinc-plated steel, PA6 %30 GFR
Weight	66 g/each

MBDO00302.00N.0 (Nickel plated steel)
 MBDO00302.00P.0 (Stainless Steel)

MBDO00030201XS.000.0

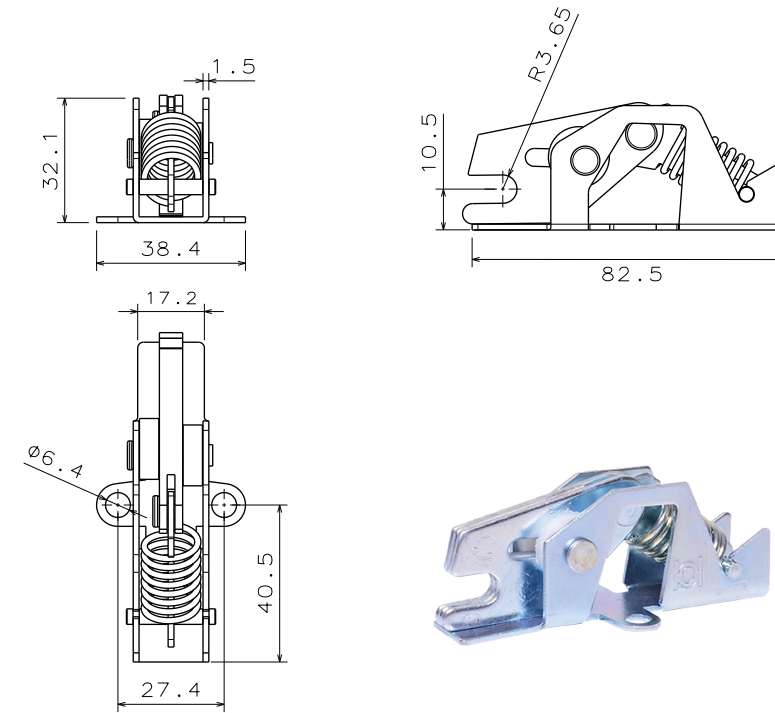


Pressure Locks

Spring Force	180 N
Material	Zinc-plated steel, PA6 %30 GFR
Weight	68 g/each

MBDO00030201XS.00N.0 (Nickel plated steel)
 MBDO00030201XS.00P.0 (Stainless Steel)

MBDO000303.000.0

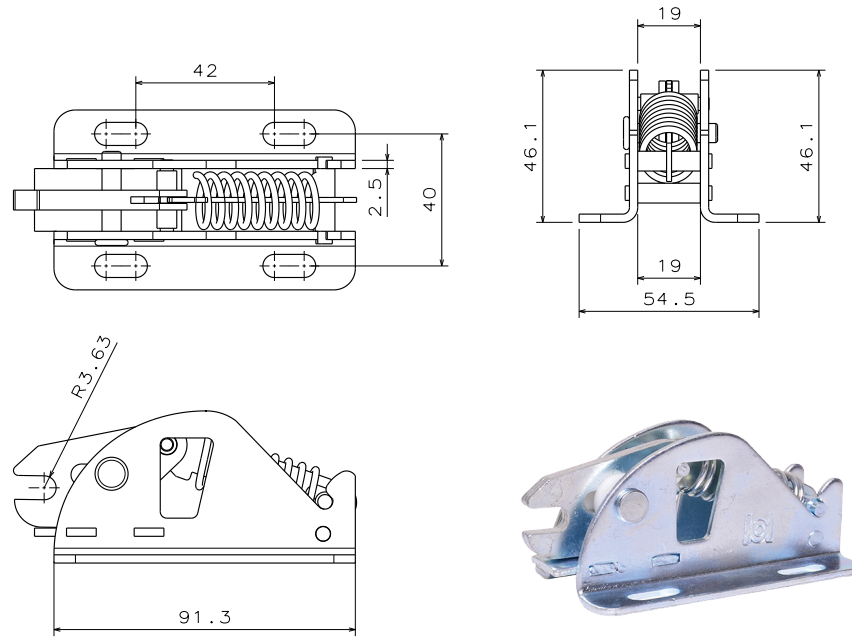


Pressure Locks

Spring Force	81.6 N / 100.6 N
Material	Zinc-plated steel
Weight	98 g/each

MBDO000303.00N.0 (Nickel plated steel)
 MBDO000303.00P.0 (Stainless Steel)

MBDO00306.000.0

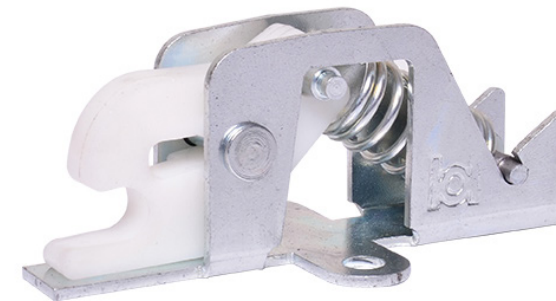


Pressure Locks

Spring Force	128 N / 139.2 N
Material	Zinc-plated steel
Weight	242 g/each

MBDO00306.00N.0 (Nickel plated steel)
 MBDO00306.00P.0 (Stainless Steel)

MBDO00307.000.0

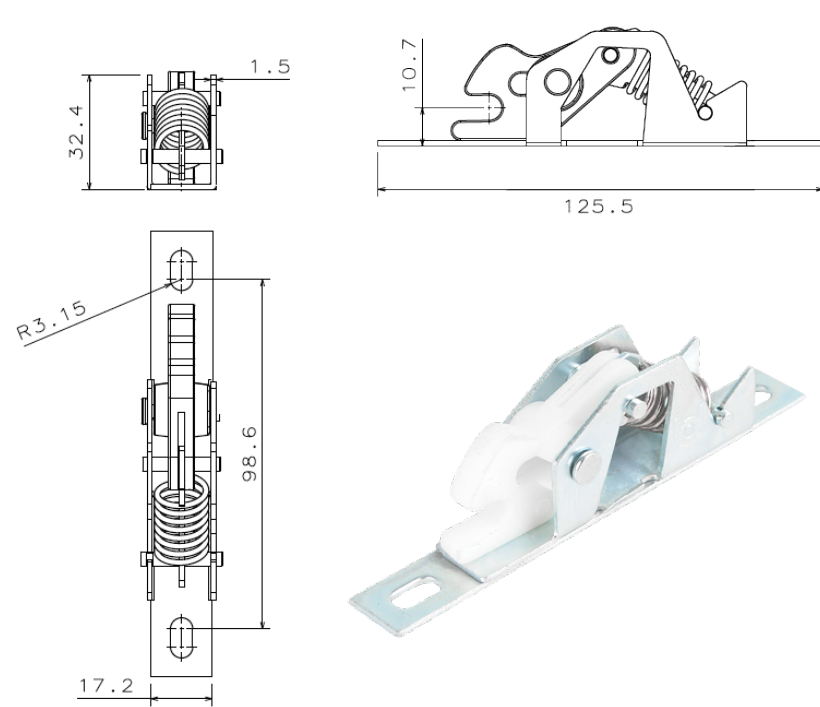


Pressure Locks

Spring Force	170.4 N / 187.9 N
Material	Zinc-plated steel, PA6 30% GFR

MBDO00307.00N.0 (Nickel plated steel)
 MBDO00307.00P.0 (Stainless Steel)

MBDO00308.000.0

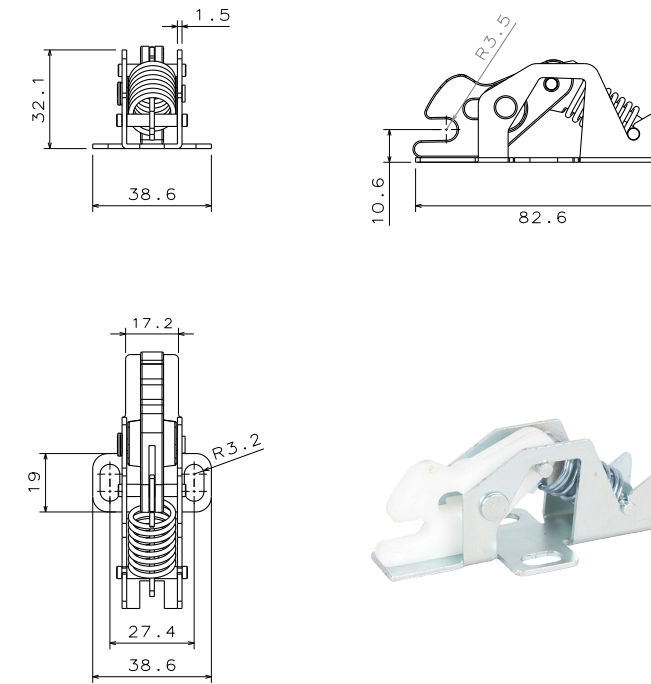


Pressure Locks

Spring Force	81.2 N / 95 N
Material	Zinc-plated steel, PA6 30% GFR
Weight	69 g/each

MBDO00308.00N.0 (Nickel plated steel)
 MBDO00308.00P.0 (Stainless Steel)

MBDO00310.000.0

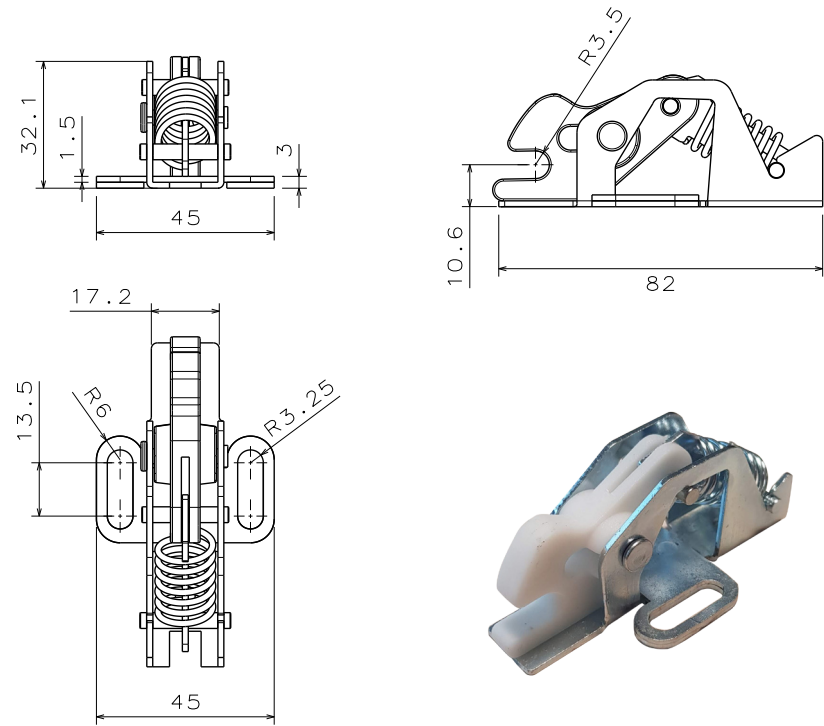


Pressure Locks

Spring Force	82.3 N / 97 N
Material	Zinc-plated steel, PA6 %30 GFR
Weight	64 g/each

MBDO00310.00N.0 (Nickel plated steel)
 MBDO00310.00P.0 (Stainless Steel)

MBDO00312.000.0

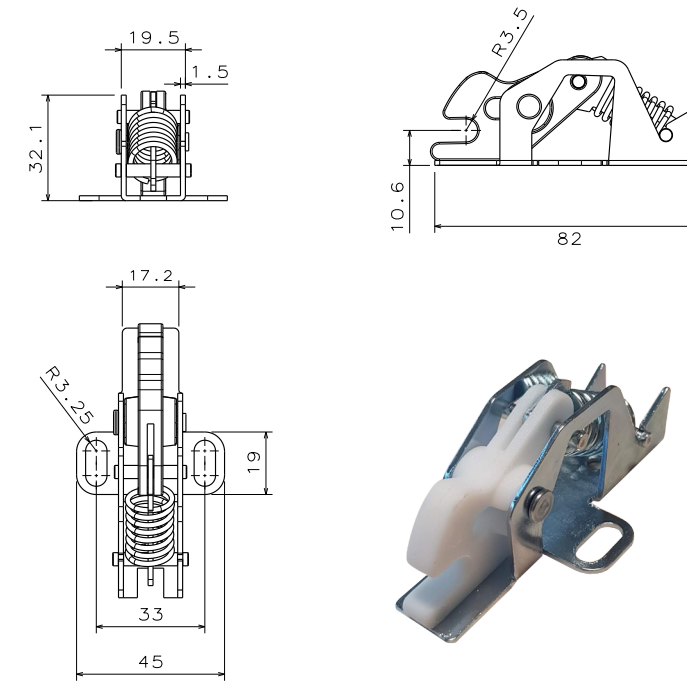


Pressure Locks

Spring Force	59 N / 80.6 N
Material	Zinc-plated steel, PA6 30% GFR
Weight	71 g/each

MBDO00312.00N.0 (Nickel plated steel)
 MBDO00312.00P.0 (Stainless Steel)

MBDO00313.000.0

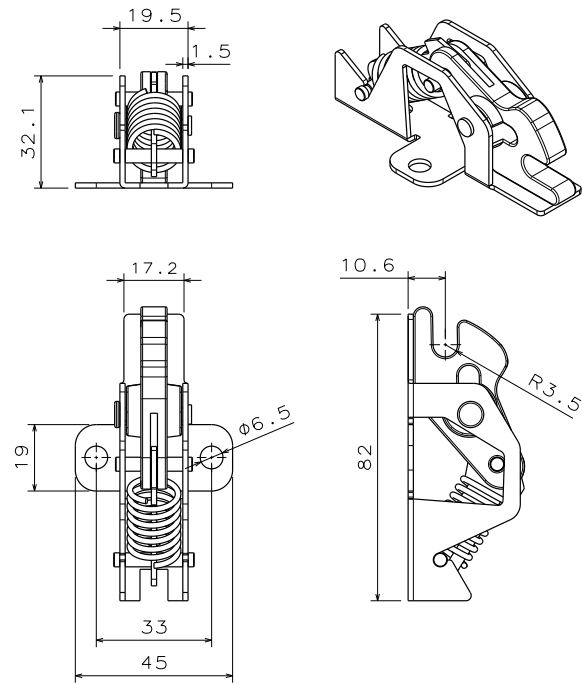


Pressure Locks

Spring Force	81.2 N / 95 N
Material	Zinc-plated steel, PA6 %30 GFR
Weight	66 g/each

MBDO00313.00N.0 (Nickel plated steel)
 MBDO00313.00P.0 (Stainless Steel)

MBDO00319.000.0

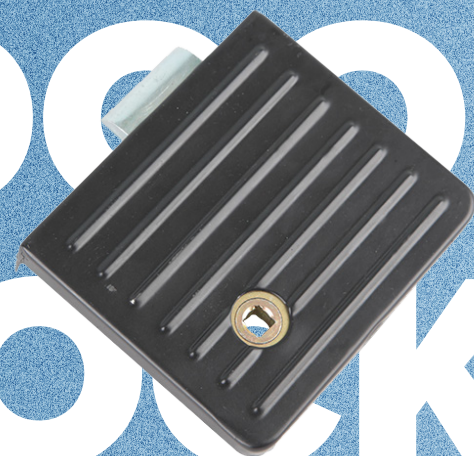


Pressure Locks

Spring Force	123.6 N / 158.6 N
Material	Zinc-plated Steel, PA6 30% GFR
Weight	72 g/each

MBDO00319.00N.0 (Nickel plated steel)
 MBDO00319.00P.0 (Stainless Steel)

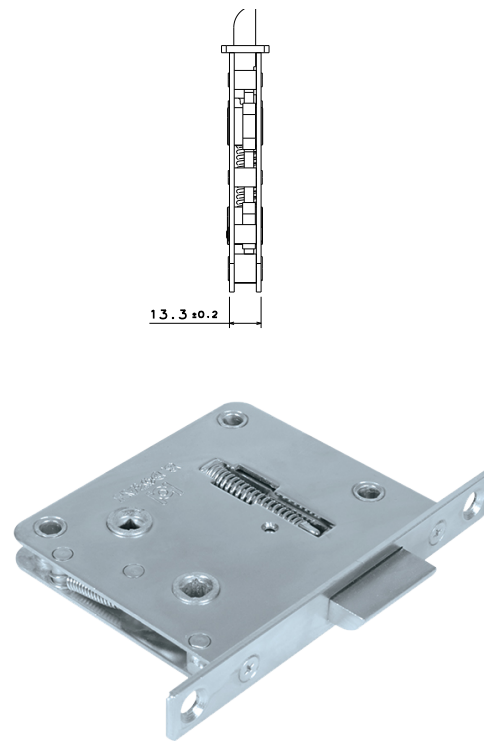
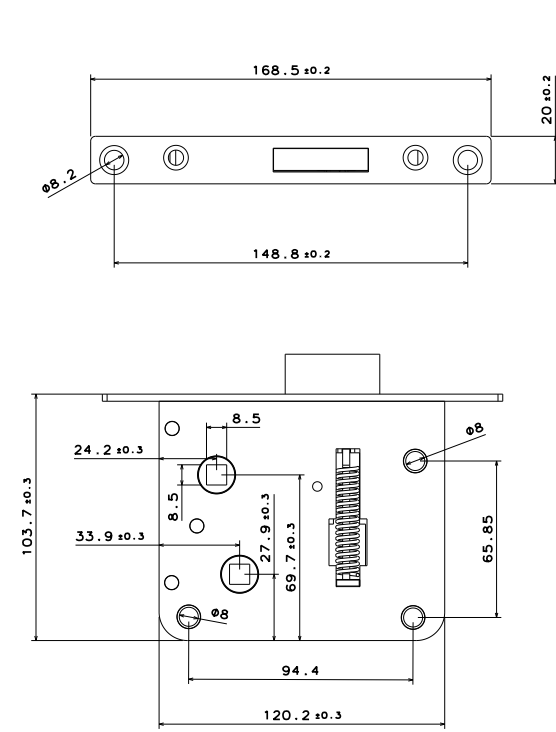
DOOR LOCKS



DOOR- LOCKS

P. 65 - 72
S. 65 - 72

MBDO00109.000.R right (illus.)
MBDO00109.000.L left



Kapı Kilitleri

Door Locks

Place of Use For use on doors

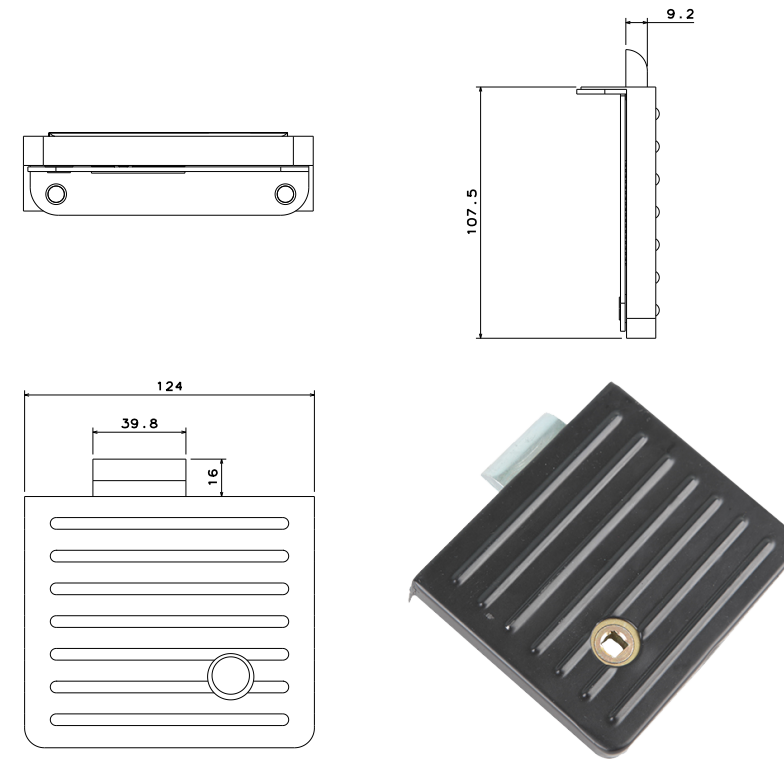
Material Zinc-plated steel

MBDO00109.00N.L left (Nickel Plated Steel)
MBDO00109.00N.R right (Symmetric Product)

Related Products

- MBDO00113.000.0 (Page: 39)
- 01.201.351 (Page: 74)
- 01.201.601 (Page: 74)
- 01.201.611 (Page: 74)
- 01.201.621 (Page: 74)

MBDO00111.000.R right (illus.)
MBDO00111.000.L left



Kapı Kilitleri

Door Locks

Place of Use For use on doors

Material Zinc-plated steel

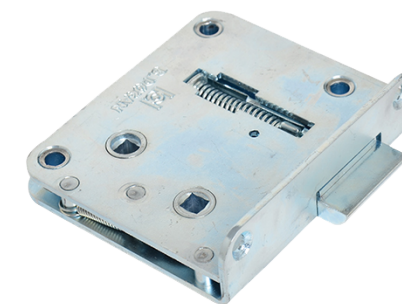
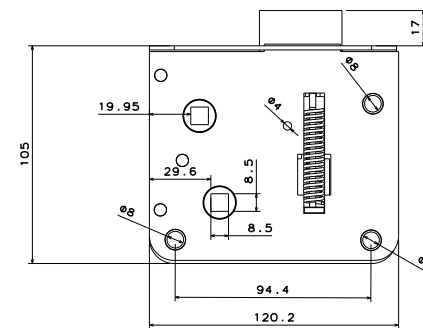
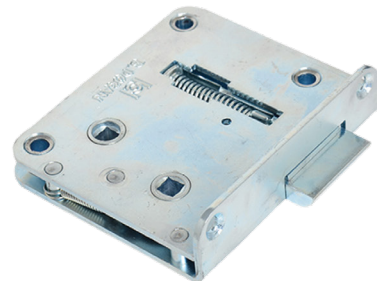
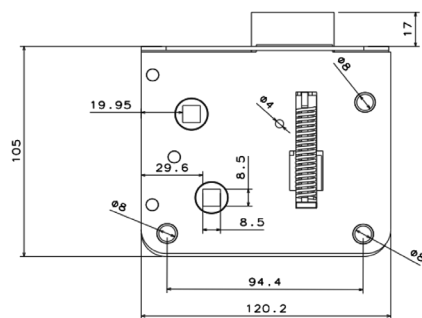
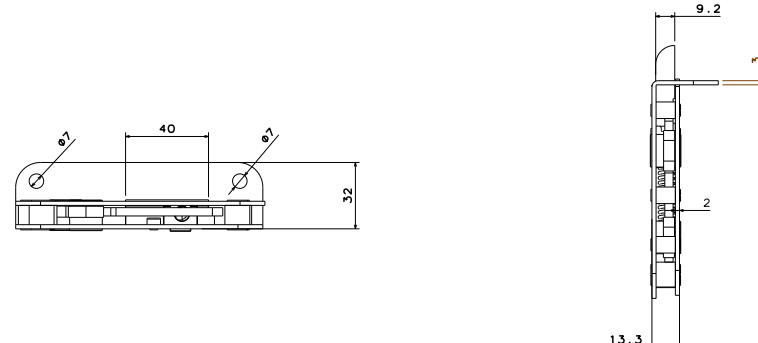
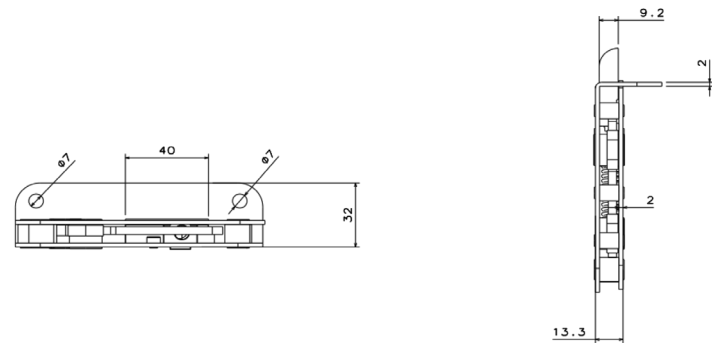
MBDO00111.00N.L left (Nickel Plated Steel)
MBDO00111.00N.R right (Symmetric Product)

Related Products

- MBDO00113.000.0 (Page: 39)
- 01.201.351 (Page: 74)
- 01.201.601 (Page: 74)
- 01.201.611 (Page: 74)
- 01.201.621 (Page: 74)

MBDO00112.000.R right (illus.)
MBDO00112.000.L left

MBDO00112.010.R right (illus.)
MBDO00112.010.L left



Door Locks

Place of Use For use on doors

Material Zinc-plated steel

MBDO00112.00N.L left (Nickel Plated Steel)
MBDO00112.00N.R right (Symmetric Product)

Door Locks

Place of Use For use on doors

Material Zinc-plated steel

MBDO00112.01N.L left (Nickel Plated Steel)
MBDO00112.01N.R right (Symmetric Product)

Related Products

- MBDO00113.000.0 (Page: 39)
- 01.201.351 (Page: 74)
- 01.201.601 (Page: 74)
- 01.201.611 (Page: 74)
- 01.201.621 (Page: 74)

Related Products

- MBDO00113.000.0 (Page: 39)
- 01.201.351 (Page: 74)
- 01.201.601 (Page: 74)
- 01.201.611 (Page: 74)
- 01.201.621 (Page: 74)

MITA LOCKS



01.201.081



01.201.351



01.201.601



01.201.611



01.201.621



01.201.701

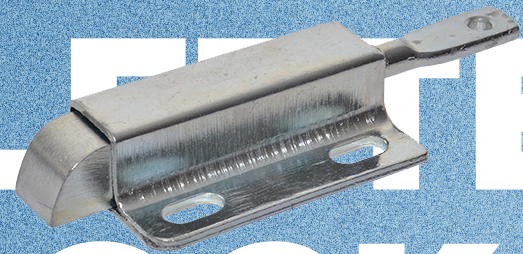


01.201.801



ESPAGNOLETTE LOCKS

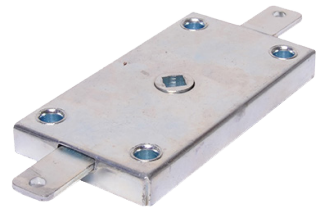
ESPAGNO- LETTE LOCKS



P. 75 - 78
S. 75 - 78

MBDO00603.000.0

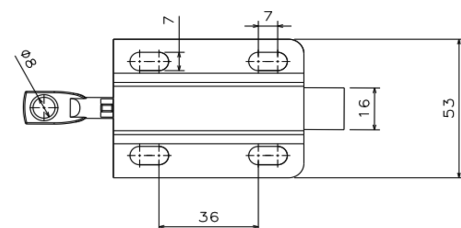
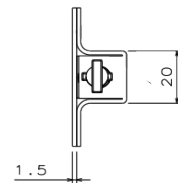
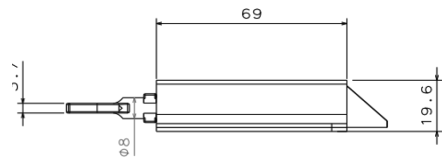
MBDO00604.030.0



Edge of Espagnolette

Material Zinc-plated steel

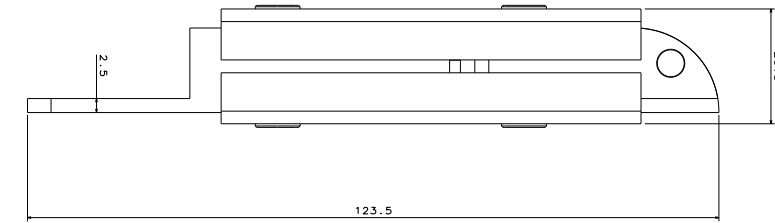
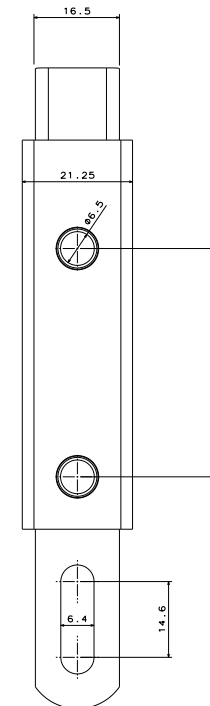
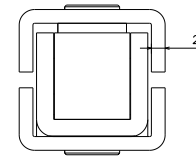
MBDO00604.010.0



Edge of Espagnolette

Material Zinc-plated steel

Weight 200 g/each

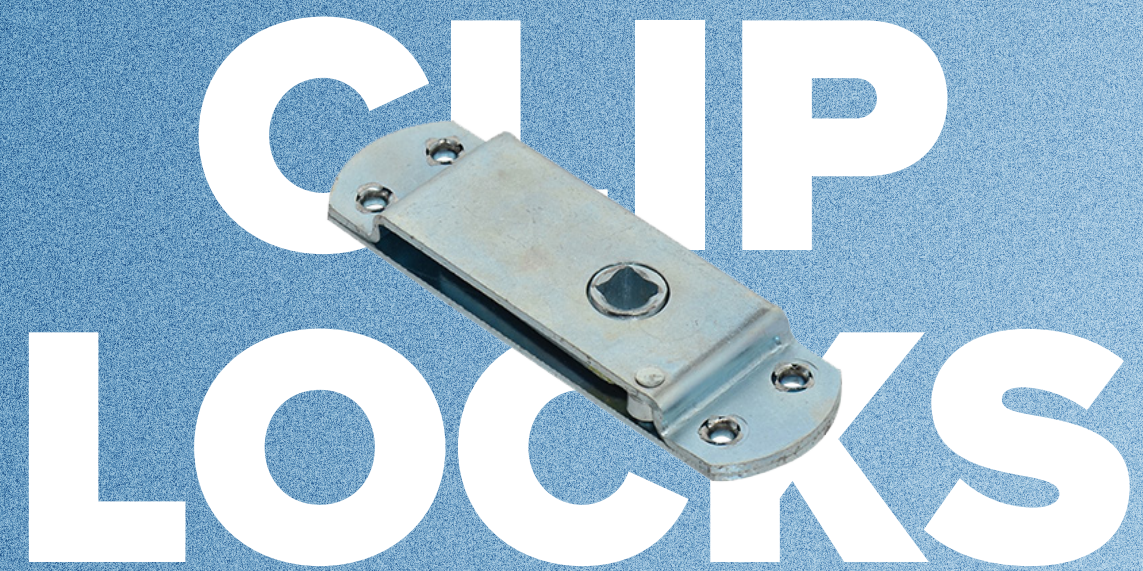


Edge of Espagnolette

Material Zinc-plated steel

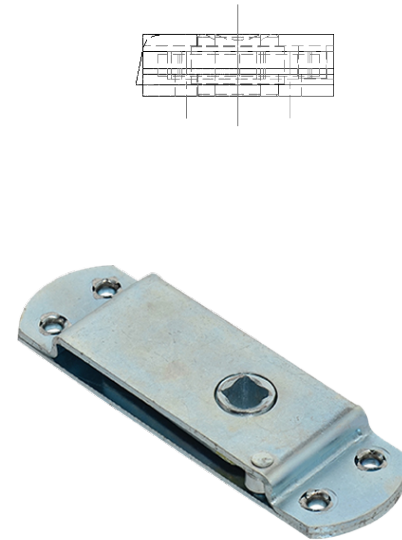
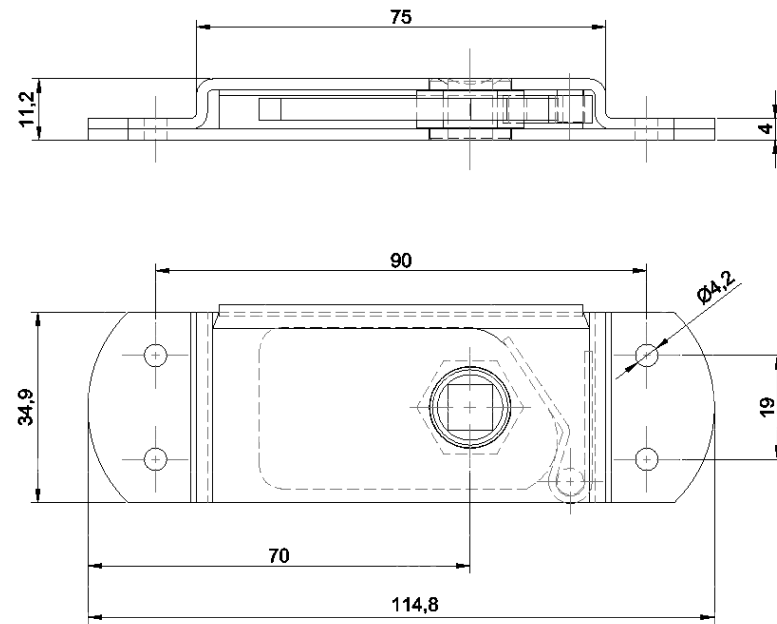
Weight 160 g/each

CLIP LOCKS



MBDO00259.000.L
MBDO00259.000.R

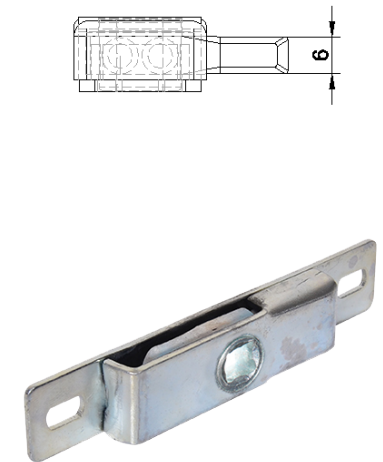
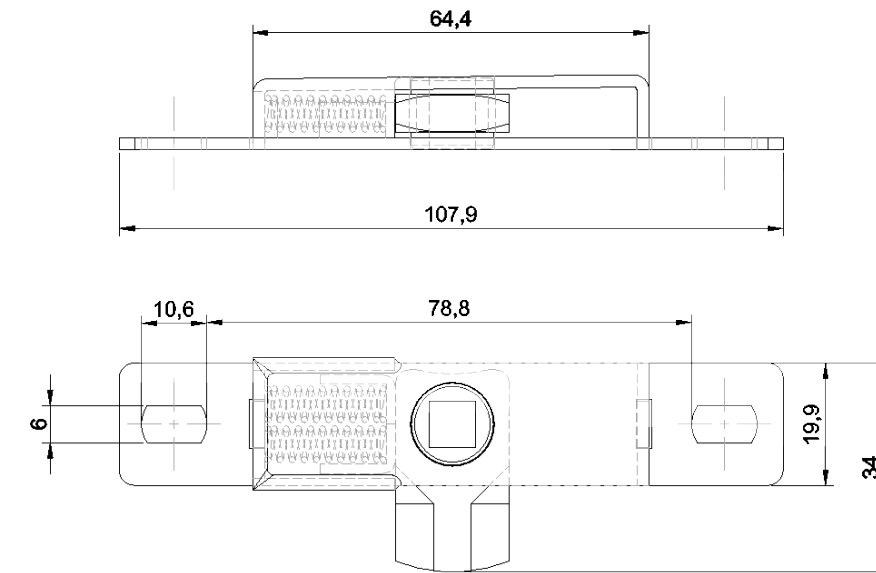
MBDO00304.000.L
MBDO00304.000.R



Latch Lock

Material	Zinc-plated steel
Weight	179 g/each

MBDO00259.00N.L left (Nickel plated steel)
MBDO00259.00N.R right (Symmetric Product)

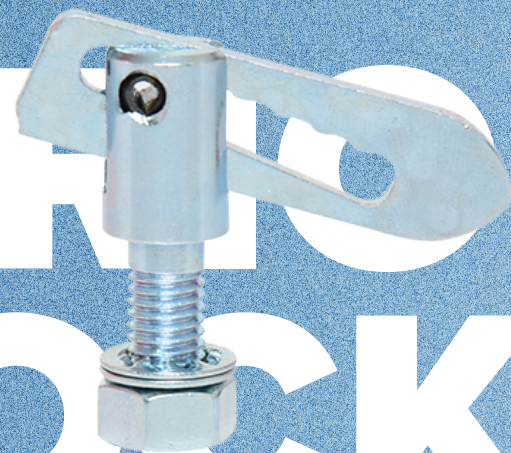


Latch Lock

Material	Zinc-plated steel
Weight	80 g/each

MBDO00304.00N.L left (Nickel plated steel)
MBDO00304.00N.R right (Symmetric Product)

VARIOUS LOCKS

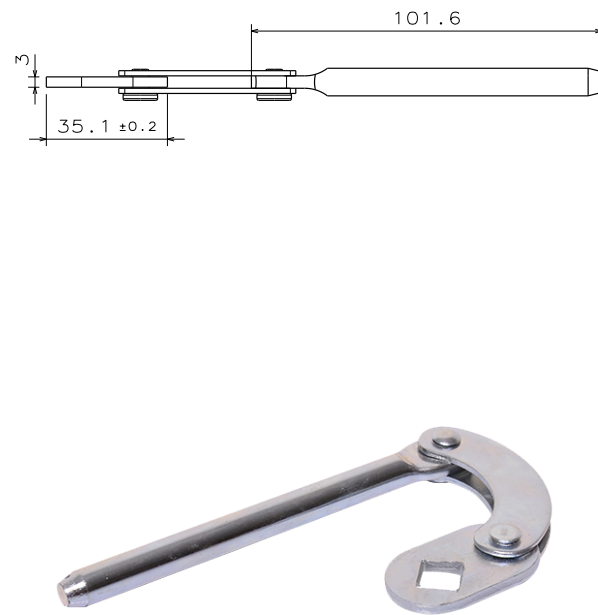
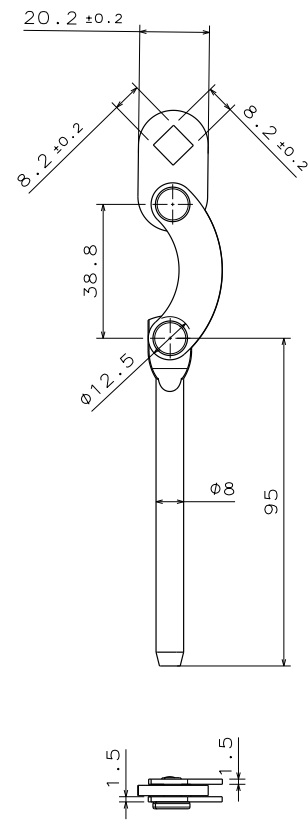


VARIOUS LOCKS

P. 83 - 88

S. 83 - 88

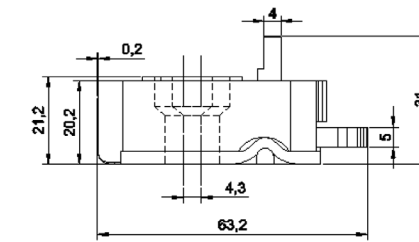
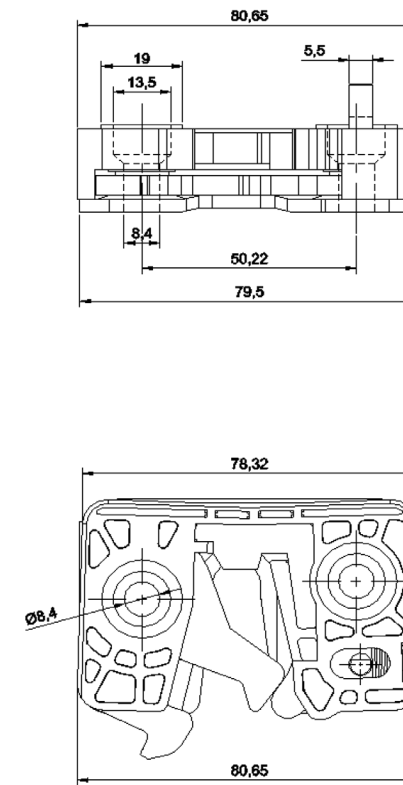
MBDO00606.000.0



Pneumatic Door Lock Mechanism

Material	Zinc-plated steel, and pin
Weight	66 g/each

MBDO00728.000.L left (illus) MBDO00728.000.R

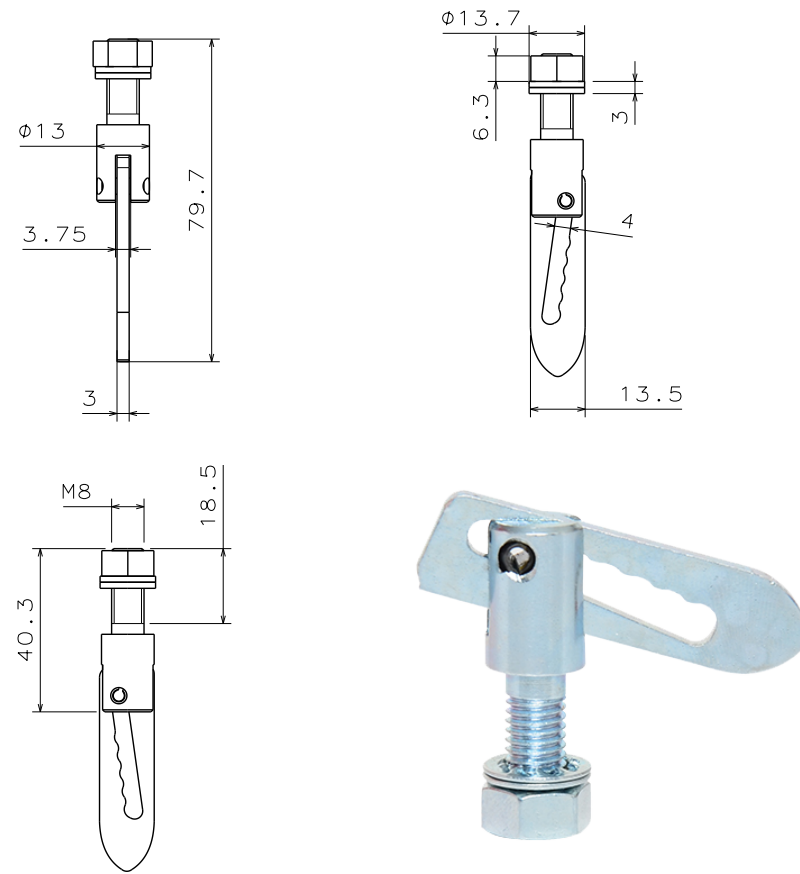


Bumper Lock

Material	Zinc-plated steel, and pin, White plastic, Pom / Delrin / Polioksimetilen
Weight	220 g/each

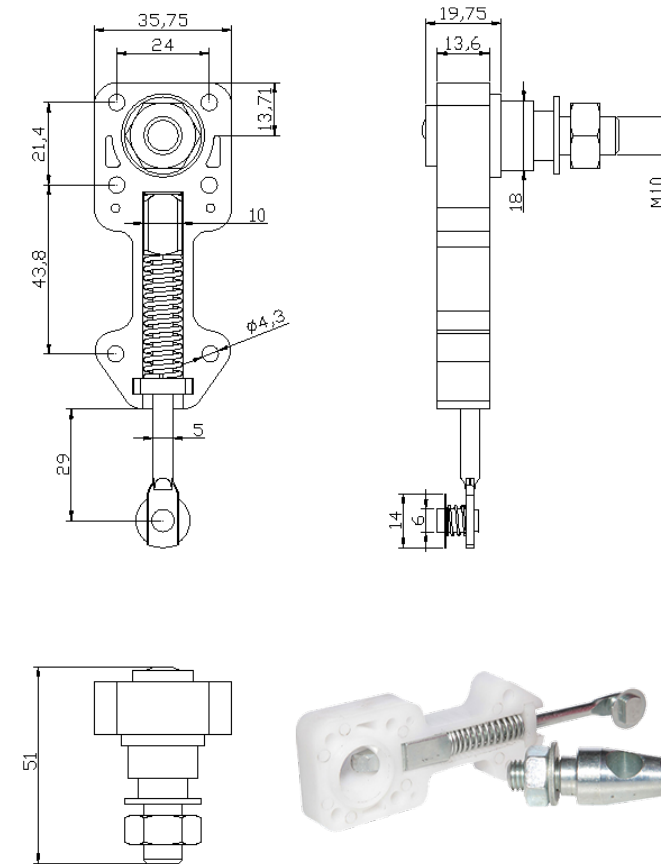
MBDO00800.000.0

MBDO00904.000.0



M8 Closing Lock

Material	Zinc-plated steel, and pin
Weight	35 g/each



Plastic Conically Lock Set

Material	Zinc-plated pin, White plastic, Pom / Delrin / Polioksimetilen
Weight	142 g/each

HINGES

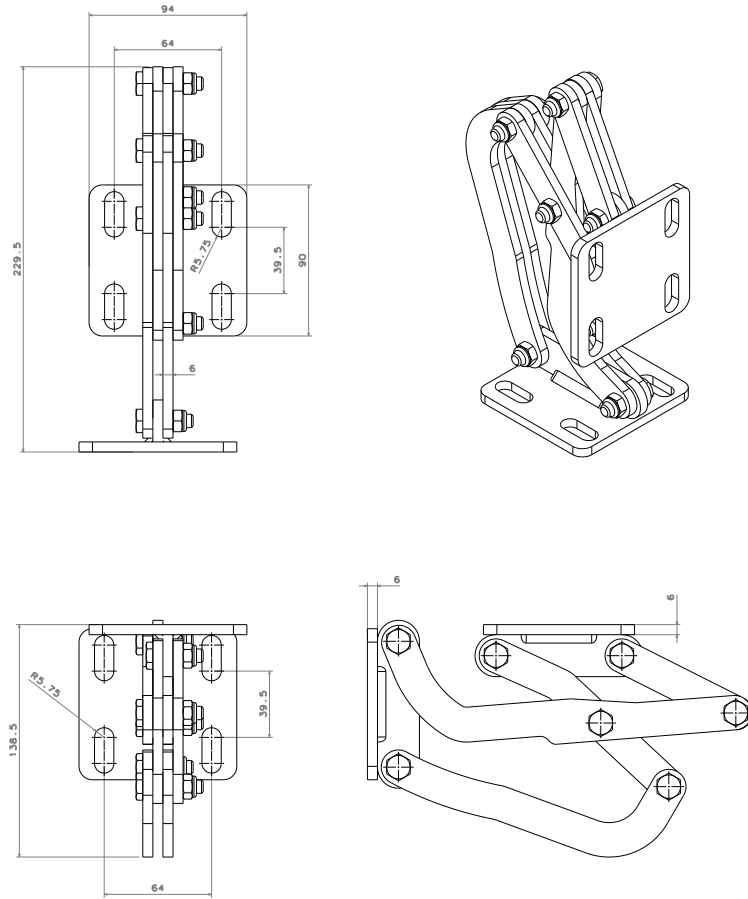


HINGES

P. 89 - 100

S. 89 - 100

MBDO001.000.L left (illus.)
MBDO001.000.R right



Seven Points Hinge

Place of Use Stainless Pin, Stainless Bush and
Stainless washer (standart)

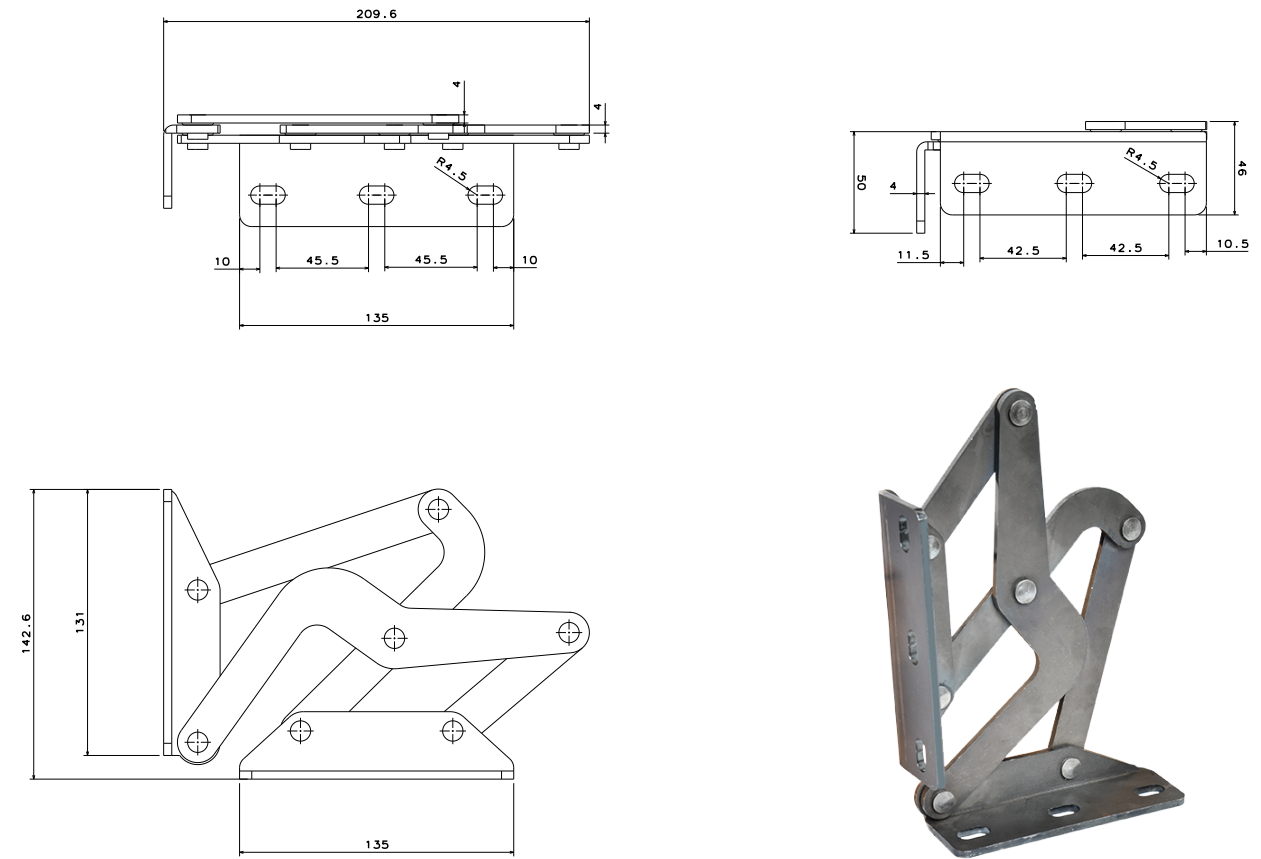
Material Zinc-plated steel

Paslanmaz Pim, Paslanmaz Burç ve
Paslanmaz Pul (standart)

MBDO001.00N.L left (Nickel plated steel)
MBDO001.00N.R right (Symmetric Product)

MBDO001.00P.L left (Stainless steel)
MBDO001.00P.R right (Symmetric Product)

MBDO003.000.L left (illus.)
MBDO003.000.R right



Seven Points Hinge

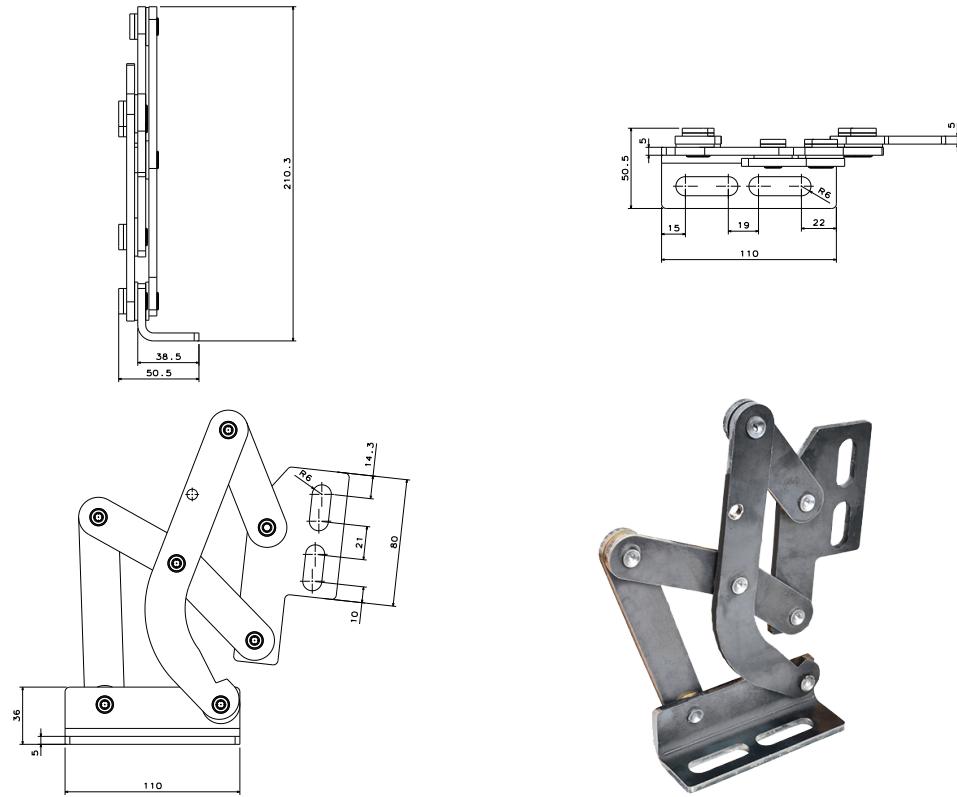
Place of Use Stainless Pin, Stainless Bush and
Stainless washer (standart)

Material Zinc-plated steel

MBDO003.00N.L left (Nickel plated steel)
MBDO003.00N.R right (Symmetric Product)

MBDO003.00P.L left (Stainless steel)
MBDO003.00P.R right (Symmetric Product)

MBDO004.000.L left (illus.)
MBDO004.000.R right



Seven Points Hinge

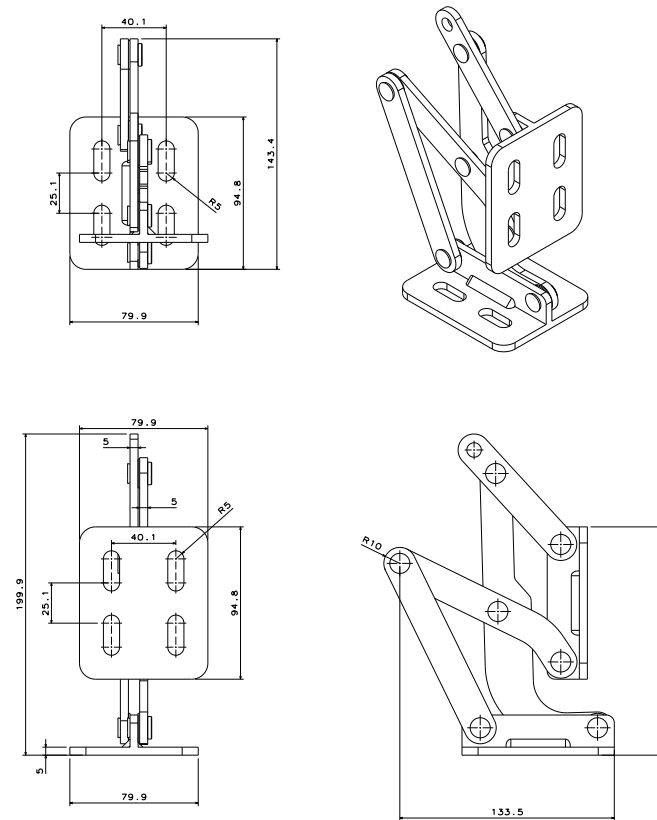
Place of Use Stainless Pin, Stainless Bush and
Stainless washer (standart)

Material Zinc-plated steel

MBDO004.00N.L left (Nickel plated steel)
MBDO004.00N.R right (Symmetric Product)

MBDO004.00P.L left (Stainless steel)
MBDO004.00P.R right (Symmetric Product)

MBDO005.000.L left (illus.)
MBDO005.000.R right



Seven Points Hinge

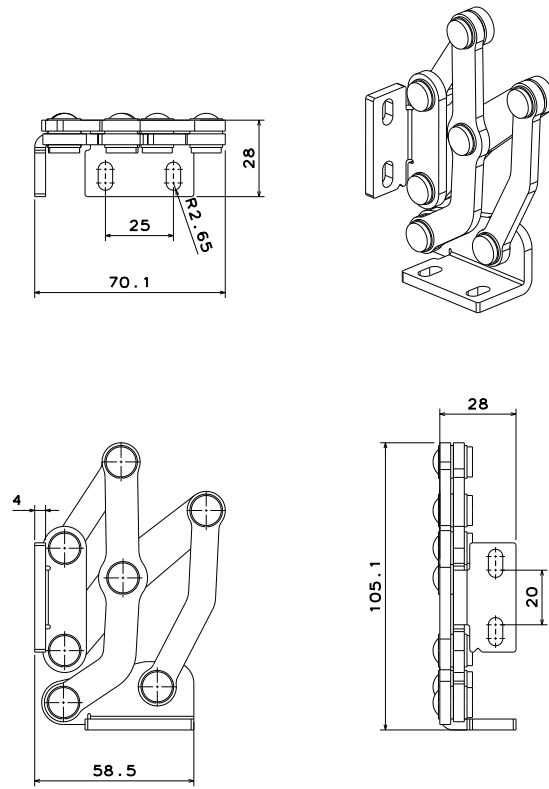
Place of Use Stainless Pin, Stainless Bush and
Stainless washer (standart)

Material Zinc-plated steel

MBDO005.00N.L left (Nickel plated steel)
MBDO005.00N.R right (Symmetric Product)

MBDO005.00P.L left (Stainless steel)
MBDO005.00P.R right (Symmetric Product)

MBDO006.000.L left (illus.)
MBDO006.000.R right



Seven Points Hinge

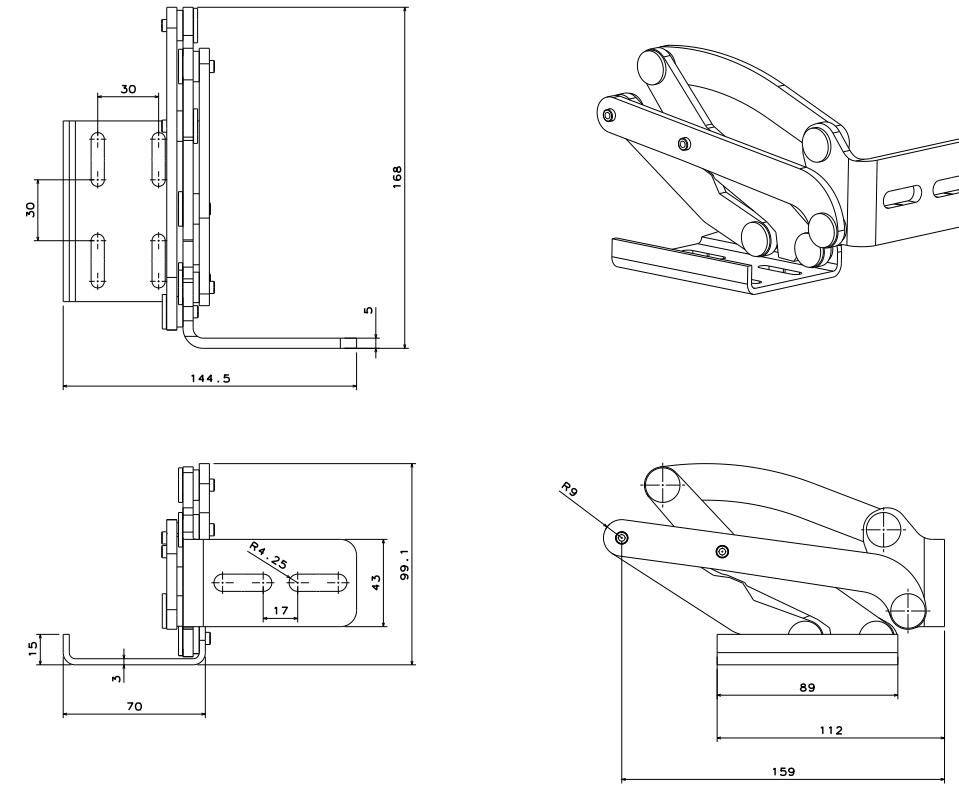
Place of Use Stainless Pin, Stainless Bush and
Stainless washer (standart)

Material Zinc-plated steel

MBDO006.00N.L left (Nickel plated steel)
MBDO006.00N.R right (Symmetric Product)

MBDO006.00P.L left (Stainless steel)
MBDO006.00P.R right (Symmetric Product)

MBDO007.000.L left (illus.)
MBDO007.000.R right



Seven Points Hinge

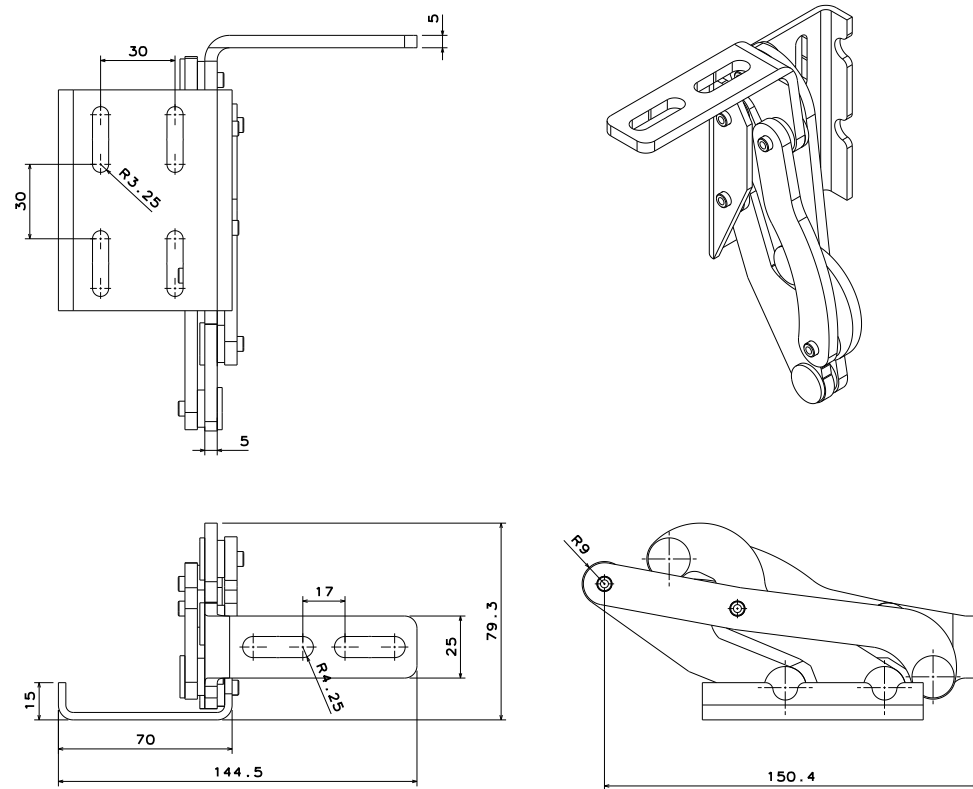
Place of Use Stainless Pin, Stainless Bush and
Stainless washer (standart)

Material Zinc-plated steel

MBDO007.00N.L left (Nickel plated steel)
MBDO007.00N.R right (Symmetric Product)

MBDO007.00P.L left (Stainless steel)
MBDO007.00P.R right (Symmetric Product)

MBDO008.000.L left (illus.)
MBDO008.000.R right



Seven Points Hinge

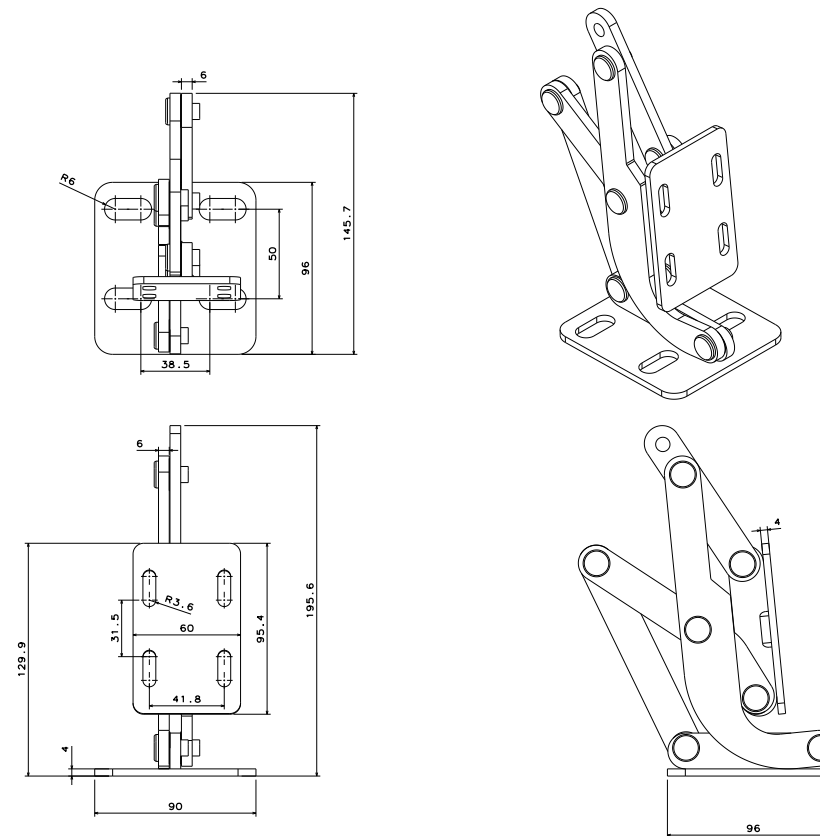
Place of Use Stainless Pin,
Stainless washer (standart)

Material Zinc-plated steel

MBDO008.00N.L left (Nickel plated steel)
MBDO008.00N.R right (Symmetric Product)

MBDO008.00P.L left (Stainless steel)
MBDO008.00P.R right (Symmetric Product)

MBDO009.000.L left (illus.)
MBDO009.000.R right



Seven Points Hinge

Place of Use Stainless Pin, Stainless Bush and
Stainless washer (standart)

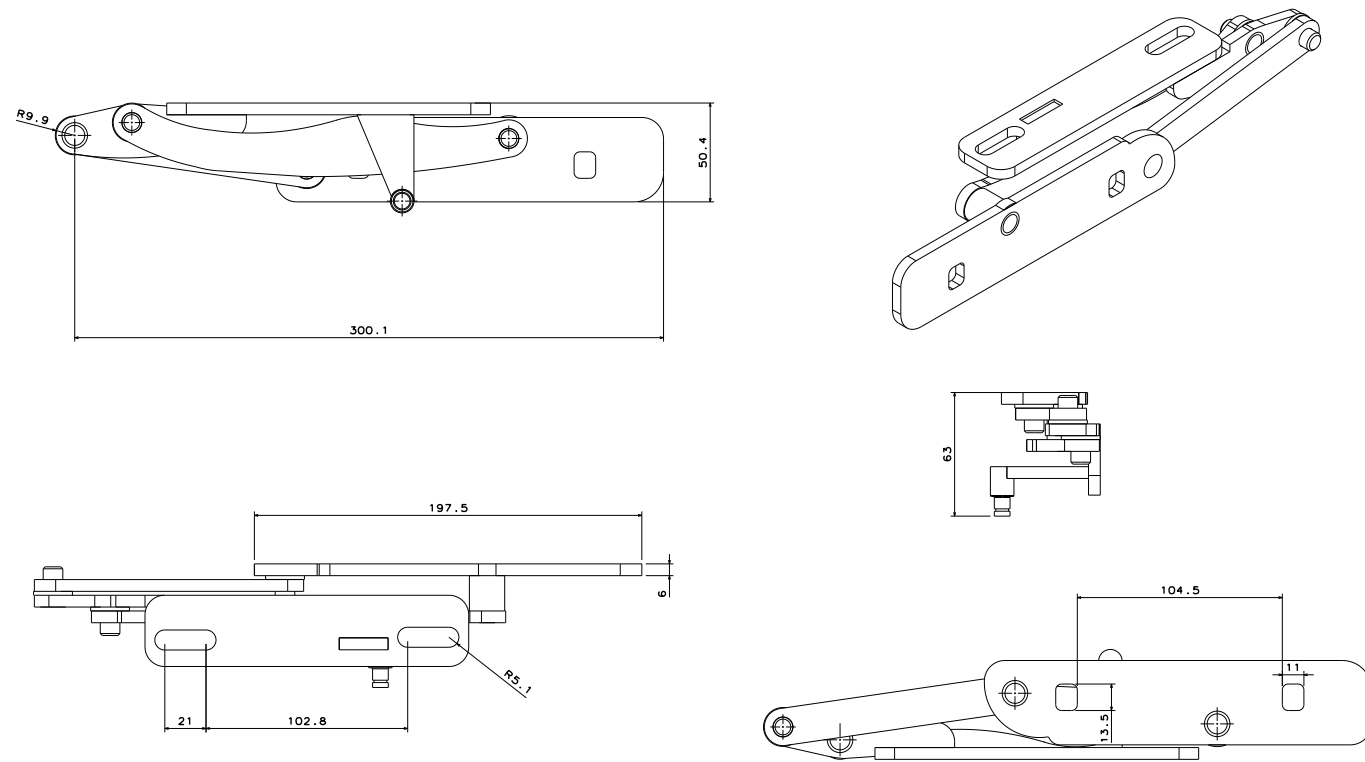
Material Zinc-plated steel

MBDO009.00N.L left (Nickel plated steel)
MBDO009.00N.R right (Symmetric Product)

MBDO009.00P.L left (Stainless steel)
MBDO009.00P.R right (Symmetric Product)

MBDO010.000.L left (illus.)

MBDO010.000.R right



Seven Points Hinge

Place of Use Stainless Pin, Stainless Bush and
Stainless washer (standart)

Material Zinc-plated steel

MBDO010.00N.L left (Nickel plated steel)
MBDO010.00N.R right (Symmetric Product)

MBDOAT010.00P.L left (Stainless steel)
MBDOAT010.00P.R right (Symmetric Product)

DOOR STRAPS AND RODS

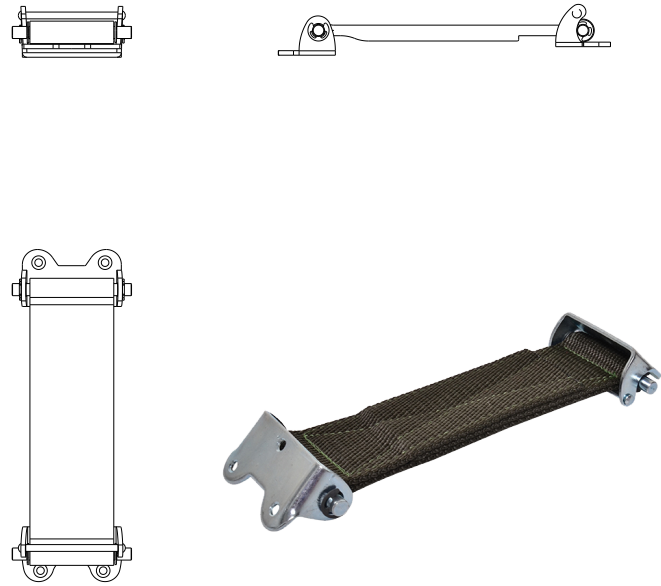


DOOR STRAPS AND RODS

P. 101 - 103
S. 101 - 103

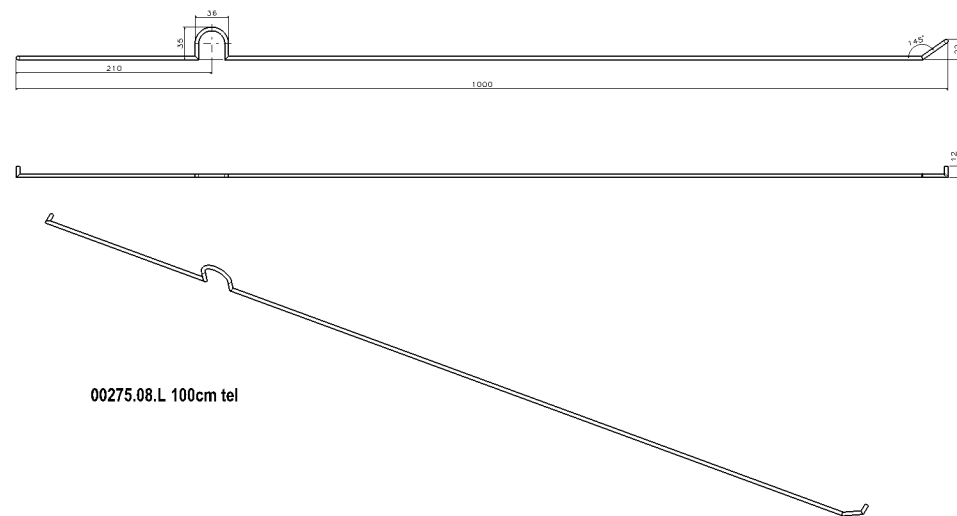
DOOR STRAPS AND RODS

Door Straps



*Note: Please send technical specifications for price offer.

Rods



*Note: Please send technical specifications for price offer.



 **KFRRA**.*it*

The logo features a stylized 'K' on the left, composed of a black square with a white diagonal line and a green triangle. To its right, the letters 'FRRA' are written in a bold, black, sans-serif font. The suffix '.it' is written in a green, italicized, sans-serif font.